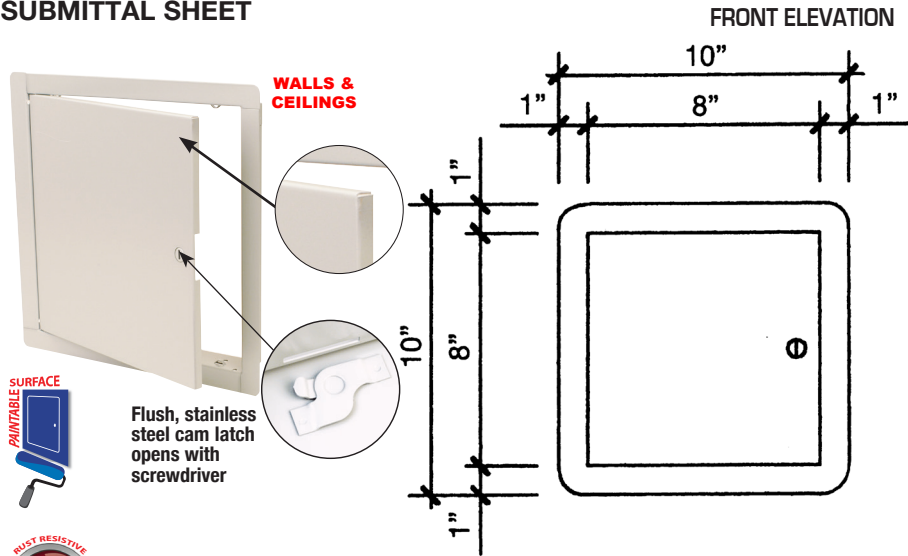
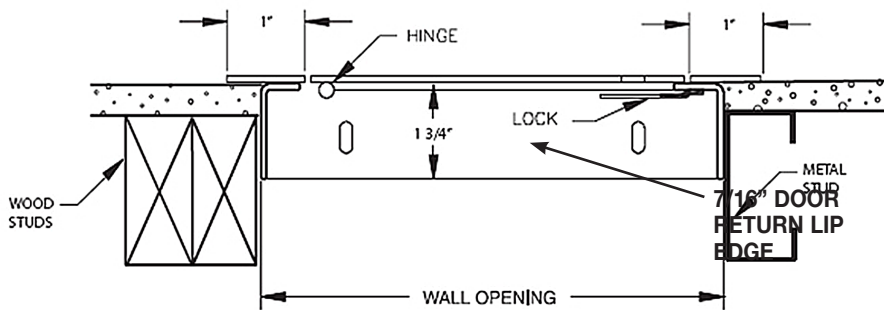


GOOD in Quality BEST in Price!

SUBMITTAL SHEET



SECTION DETAIL



SPECIFICATIONS:

Door & Trim: 18 ga. steel (up to and including 16" x 16")
 7/16" door return lip edge
Finish: Primed white baked enamel, **paintable surface**
Lock: Stainless steel flush cam latch
Hinge: Pin hinge top and bottom. Allows opening to 165°

OPTIONS (at additional cost)

Finishes:

- Stainless Steel Type 304 No. 4 Satin Finish Brushed
- Stainless Steel Type 316 No. 4 Satin Finish Brushed

Options: (additional cost)

- WB Key Cylinder Locks - keyed alike 2 keys per door
- Custom colors
- Special sizes available
- _____

Model No.	Door Size W x H	Wall Opening	Cam Latches	Ship Wt. Lbs.
BASIC 300	6 x 6	6 1/4 x 6 1/4	1	4
BASIC 300	8 x 8	8 1/4 x 8 1/4	1	5
BASIC 300	8 x 12	8 1/4 x 12 1/4	1	6
BASIC 300	8 x 16	8 1/4 x 16 1/4	1	8
BASIC 300	10 x 10	10 1/4 x 10 1/4	3	6
BASIC 300	12 x 12	12 1/4 x 12 1/4	3	8
BASIC 300	12 x 16	12 1/4 x 16 1/4	3	10
BASIC 300	12 x 18	12 1/4 x 18 1/4	3	11
BASIC 300	12 x 24	12 1/4 x 24 1/4	4	15
BASIC 300	14 x 14	14 1/4 x 14 1/4	3	10
BASIC 300	14 x 24	14 1/4 x 24 1/4	3	14
BASIC 300	16 x 16	16 1/4 x 16 1/4	3	13
BASIC 300	16 x 20	16 1/4 x 20 1/4	3	16
BASIC 300	16 x 24	16 1/4 x 24 1/4	4	17
BASIC 300	18 x 18	18 1/4 x 18 1/4	3	14
BASIC 300	18 x 24	18 1/4 x 24 1/4	4	18
BASIC 300	18 x 36	18 1/4 x 36 1/4	5	29
BASIC 300	20 x 20	20 1/4 x 20 1/4	3	17
BASIC 300	20 x 24	20 1/4 x 24 1/4	4	21
BASIC 300	20 x 30	20 1/4 x 30 1/4	4	23
BASIC 300	22 x 22	22 1/4 x 22 1/4	4	22
BASIC 300	22 x 24	22 1/4 x 24 1/4	4	23
BASIC 300	22 x 30	22 1/4 x 30 1/4	4	25
BASIC 300	22 x 36	22 1/4 x 36 1/4	5	32
BASIC 300	24 x 24	24 1/4 x 24 1/4	4	24
BASIC 300	24 x 30	24 1/4 x 30 1/4	4	27
BASIC 300	24 x 36	24 1/4 x 36 1/4	5	35
BASIC 300	24 x 48*	24 1/4 x 48 1/4	6	43
BASIC 300	30 x 30	30 1/4 x 30 1/4	6	32
BASIC 300	30 x 36	30 1/4 x 36 1/4	6	39
BASIC 300	32 x 32	32 1/4 x 32 1/4	6	35
BASIC 300	36 x 36	36 1/4 x 36 1/4	7	44

This cost effective access door is satin coat galvanized with a white baked paintable enamel finish. This door is for indoor and outdoor use. When price is an issue, bid any job with confidence using the WB-Basic Door.

RELATED PRODUCTS



**BEST in Quality!
GOOD in Price!**
WB GP 100 Premium Access Door



**GOOD in Quality!
BEST in Price!**
WB UAD 200 Series Utility Access Door

Project: _____ Date: _____
 Contractor: _____ Architect: _____
 Sizes: _____ Quantity: _____ App Initials: _____

1330 Progress Drive • Front Royal, VA 22630 • Phone: 1-800-255-5515 • www.wbdoors.com



The World's Largest Access Door Store.™

