

SUBMITTAL SHEET

WALLS & CEILINGS

FRONT ELEVATION

SPECIFICATIONS:



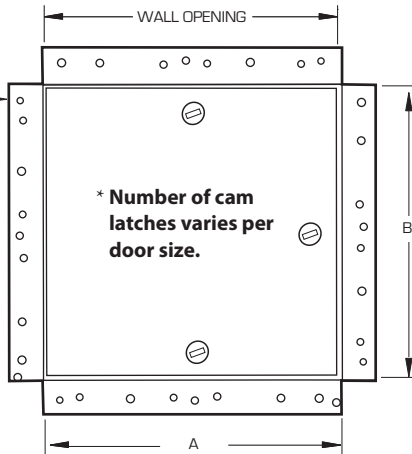
Drywall bead supplied by



GALVANIZED METAL CASING BEAD



Fully concealed offset hinges up to 24 x 24



SECTION DETAIL

Door: 14 ga. steel

Trim: 16 ga. steel, 1" wide 24 ga. galvanized drywall flange

Finish: Primed white baked enamel, **paintable surface**

Latches: Flush, stainless steel cam latches. See sizes below for the number of latches per door.

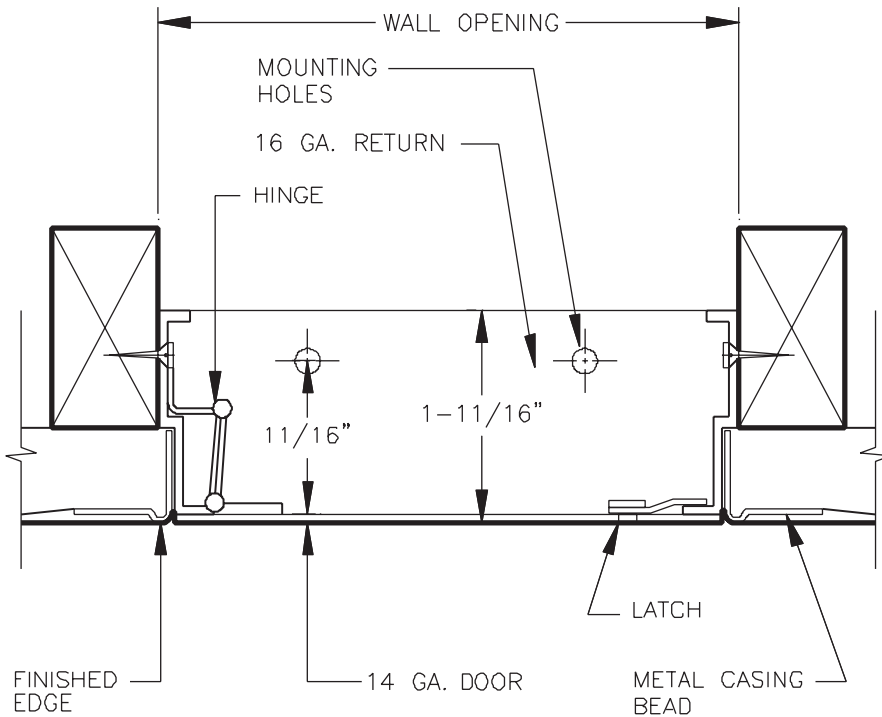
Hinge: Concealed offset hinge on sizes up to and including 24 x 24. Semi-concealed hinge on sizes over 24 x 24

OPTIONS (at additional cost)

- Stainless Steel Type 304 No. 4 Satin Finish Brushed
- Stainless Steel Type 316 No. 4 Satin Finish Brushed

Options: (additional cost)

- WB Cylinder lock, 2 keys per door, keyed alike
- Mortise Best Lock and locks by others
- Weather resistive neoprene gasket all 3 sides (Closed cell sponge, blend of Neoprene/EPDM/SBR. Meets ASTM D-1056: SCE 41, RE 41, 2A1; substrate UL 94HF-1 recognized)
- Special sizes available



Model No.	Door Size W x H	Wall Opening	Cam* Latches	Ship Wt. Lbs.
DW 400	6 x 6	6 1/4 x 6 1/4	1	4
DW 400	8 x 8	8 1/4 x 8 1/4	1	5
DW 400	10 x 10	10 1/4 x 10 1/4	3	6
DW 400	12 x 12	12 1/4 x 12 1/4	3	8
DW 400	12 x 20	12 1/4 x 20 1/4	4	12
DW 400	14 x 14	14 1/4 x 14 1/4	3	10
DW 400	16 x 16	16 1/4 x 16 1/4	3	13
DW 400	18 x 18	18 1/4 x 18 1/4	3	14
DW 400	20 x 20	20 1/4 x 20 1/4	3	17
DW 400	20 x 24	20 1/4 x 24 1/4	4	21
DW 400	20 x 30	20 1/4 x 30 1/4	4	23
DW 400	22 x 22	22 1/4 x 22 1/4	4	22
DW 400	22 x 30	22 1/4 x 30 1/4	4	25
DW 400	22 x 36	22 1/4 x 36 1/4	5	32
DW 400	24 x 24**	24 1/4 x 24 1/4	4	24
DW 400	24 x 30*	24 1/4 x 30 1/4	4	27
DW 400	24 x 36**	24 1/4 x 36 1/4	5	35
DW 400	24 x 48**	24 1/4 x 48 1/4	6	43
DW 400	30 x 30**	30 1/4 x 30 1/4	6	32
DW 400	30 x 36**	30 1/4 x 36 1/4	6	39
DW 400	36 x 36**	36 1/4 x 36 1/4	7	44
DW 400	48 x 48**	48 1/4 x 48 1/4	12	70

A quality flush panel door with a tape-in drywall bead flange, eliminates visual distraction created by projecting, surface-mounted units.

* The larger the size, more cams are used for closure.
 ** Walls only

Project: _____ Date: _____
 Contractor: _____ Architect: _____
 Sizes: _____ Quantity: _____ App Initials: _____

1330 Progress Drive • Front Royal, VA 22630 • Phone: 1-800-255-5515 • www.wbdoors.com

RELATED PRODUCTS

WB DWAL 412 Aluminum with Fully Detachable Hatch



The World's Largest Access Door Store.™

