

SUBMITTAL SHEET



FRONT ELEVATION



SPECIFICATIONS:

Door & Frame: Steel: 16 gauge door, flush to frame, with reinforced edges. Door filled with 2" thick fire insulation.
 16 gauge mounting frame with 1" trim

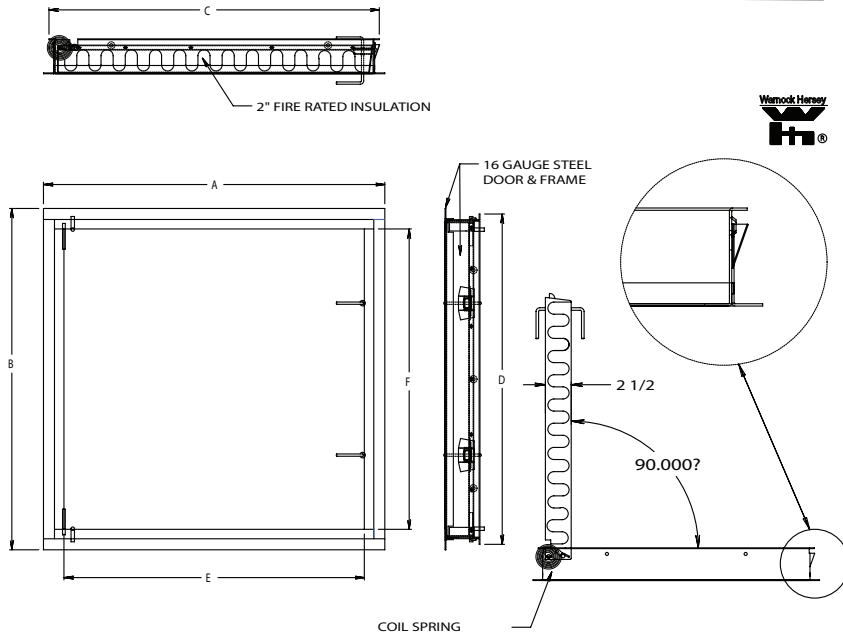
Hinge: Concealed with coil spring for dampening

Latches: L Latch, operable from both sides

Finish: Steel: 5 stage iron phosphate preparation with prime coat of white baked enamel

OPTIONS:

- Stainless steel: #4 satin finish
- Cylinder lock & key



For fire rated ceilings, this door has been approved by Warnock Hersey International for 3 hours.

✓	Item No.	Door Size W x H	Wall Opening	Cam Latch	Ship Wt. Lbs.
	FR 850	8 x 8	8 3/8 x 8 3/8	1	8
	FR 850	10 x 10	10 3/8 x 10 3/8	1	9
	FR 850	12 x 12	12 3/8 x 12 3/8	1	10
	FR 850	14 x 14	14 3/8 x 14 3/8	1	12
	FR 850	16 x 16	16 3/8 x 16 3/8	1	15
	FR 850	18 x 18	18 3/8 x 18 3/8	1	20
	FR 850	22 x 30	22 3/8 x 30 3/8	1	32
	FR 850	22 x 36	22 3/8 x 36 3/8	2	35
	FR 850	24 x 24	24 3/8 x 24 3/8	1	28
	FR 850	24 x 36	24 3/8 x 36 3/8	2	38
	FR 850	24 x 48	24 3/8 x 48 3/8	2	48
	FR 850	30 x 30	30 3/8 x 30 3/8	2	38
	FR 850	36 x 36	36 3/8 x 36 3/8	2	54
	FR 850	36 x 48	36 3/8 x 48 3/8	2	76

The WB FR 850 is an insulated, fire rated access door approved for inward opening in ceilings. Approved by Warner Hersey International for 3 hours (max. size to 24" x 36"). Self-closing, self-latching, and inside latch release.

Project: _____ Date: _____

Contractor: _____ Architect: _____

Sizes: _____ Quantity: _____ App Initials: _____

1330 Progress Drive • Front Royal, VA 22630 • Phone: 1-800-255-5515 • www.wbdoors.com



AWCI ASSOCIATION OF THE WALL AND CEILING INDUSTRY

The World's Largest Access Door Store.™

