

SUBMITTAL SHEET

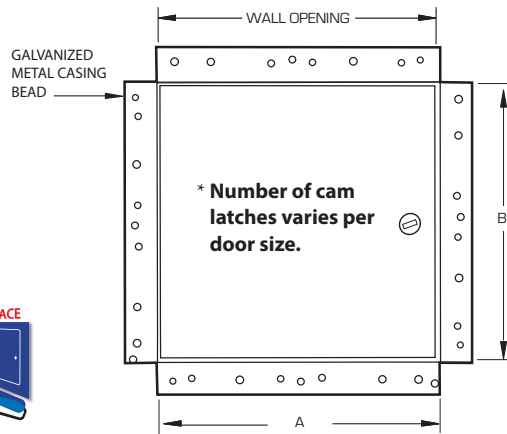
WALLS & CEILINGS



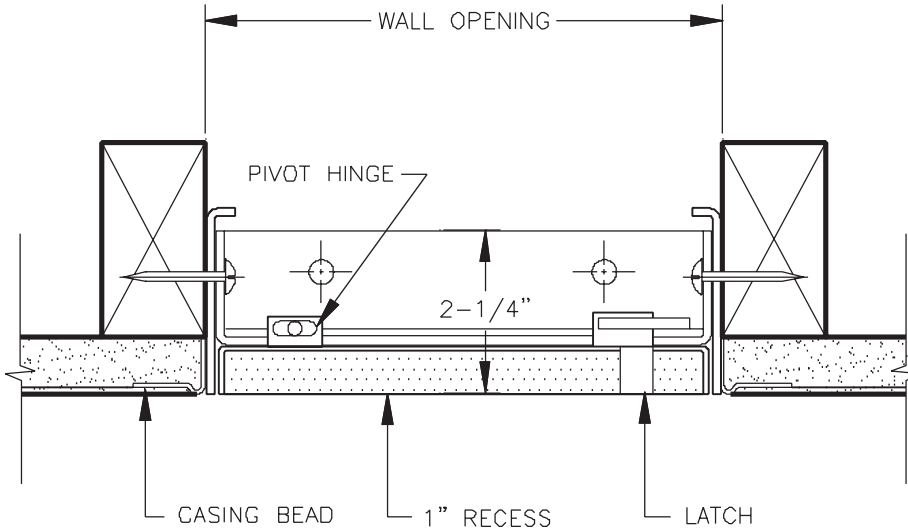
Drywall bead supplied by



FRONT ELEVATION



SECTION DETAIL



SPECIFICATIONS:

- Door:** 14 ga. steel, 5/8" recessed depth to accommodate drywall
- Trim:** 16 ga. steel. These models have a 1" wide perforated flange of 24 ga. galvanized steel for mounting purposes.
- Hinge:** Concealed pivot rod
- Latches:** Flush, stainless steel cam latch
- Finish:** Primed white baked enamel, **paintable surface**

OPTIONS (at additional cost)

Finishes:

- Stainless Steel Type 304 No. 4 Satin Finish Brushed
- Stainless Steel Type 316 No. 4 Satin Finish Brushed

Options: (additional cost)

- WB Cylinder lock, 2 keys per door, keyed alike
- 5/8" Gypsum Board installed (RDW 410 - 2)
- Weather resistive neoprene gasket all 3 sides [Closed cell sponge, blend of Neoprene/EPDM/SBR. Meets ASTM D-1056: SCE 41, RE 41, 2A1; substrate UL 94HF-1 recognized]
- Special sizes available
- _____

✓	Model No.	Door Size W x H	Wall Opening	Cam** Latches	Ship Wt. Lbs.
	RDW 410	6 x 6	6 1/4 x 6 1/4	1	4
	RDW 410	8 x 8	8 1/4 x 8 1/4	1	5
	RDW 410	12 x 12	12 1/4 x 12 1/4	3	8
	RDW 410	12 x 14	12 1/4 x 14 1/4	3	9
	RDW 410	16 x 16	16 1/4 x 16 1/4	3	13
	RDW 410	18 x 18	18 1/4 x 18 1/4	3	14
	RDW 410	24 x 24*	24 1/4 x 24 1/4	4	24

* Walls Only. ** Please check ledger for the number of cam latches for your door size.

Our recessed drywall door gives the option of installing a matching piece of drywall into the door panel thus keeping the continuity of the visual area.

Project: _____ Date: _____
 Contractor: _____ Architect: _____
 Sizes: _____ Quantity: _____ App Initials: _____

1330 Progress Drive • Front Royal, VA 22630 • Phone: 1-800-255-5515 • www.wbdoors.com

RELATED PRODUCTS

WB DW 400 Series for Drywall



The World's Largest Access Door Store.™

