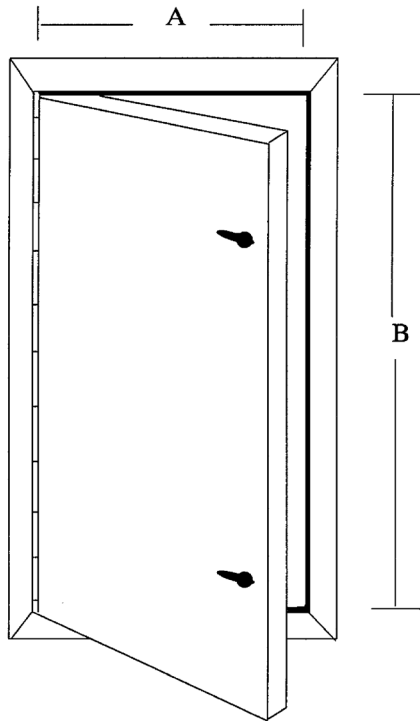


SUBMITTAL SHEET



FRONT ELEVATION



SPECIFICATIONS:

- Door:** 20 ga. galvanized steel, double wall
- Trim:** 16 ga. galvanized steel
- Insulation:** 1" thick 3lb. density insulation
- Gasket:** 1/2" wide neoprene closed cell door to frame gasket
- Latch:** 2 exterior latches with interior handles

OPTIONS (at additional cost)

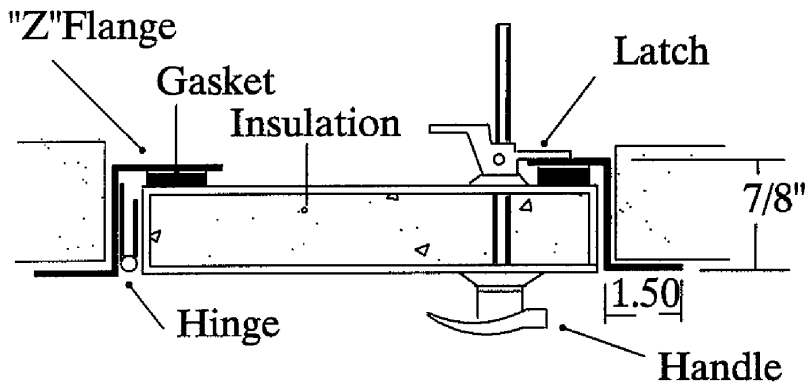
Finishes:

- Stainless Steel Type 316 No. 4 Satin Finish Brushed

Options: (additional cost)

- Extra latches
- 12" x 12" View Port
- Keyed latches

SECTION DETAIL



✓	Model No.	Opening* W x H
	WIN 1700	18 x 36
	WIN 1700	18 x 48
	WIN 1700	24 x 36
	WIN 1700	24 x 48
	WIN 1700	24 x 54
	WIN 1700	24 x 60
	WIN 1700	24 x 66
	WIN 1700	24 x 72
	WIN 1700	30 x 36
	WIN 1700	30 x 48
	WIN 1700	30 x 54
	WIN 1700	30 x 60
	WIN 1700	30 x 66
	WIN 1700	30 x 72

*Door size is 1/4" smaller from opening.
 All sizes available only by special order

Project: _____ Date: _____
 Contractor: _____ Architect: _____
 Sizes: _____ Quantity: _____ App Initials: _____

1330 Progress Drive • Front Royal, VA 22630 • Phone: 1-800-255-5515 • www.wbdoors.com



AWCI ASSOCIATION OF THE WALL AND CEILING INDUSTRY

The World's Largest Access Door Store.™



BuyOnline
 WBCA 2023