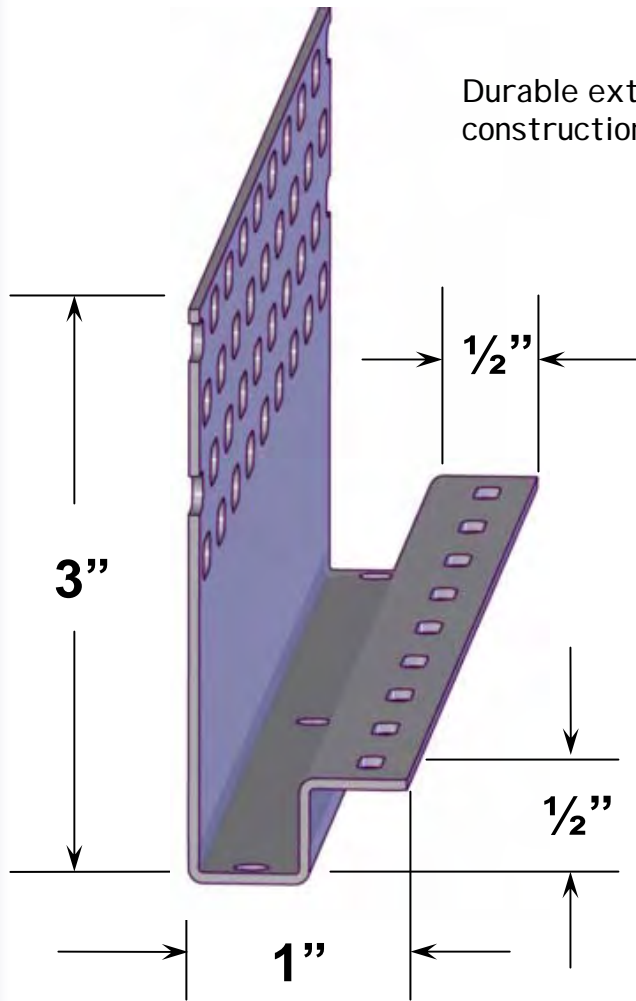


Universal Starter Track

Jobsite Inventory Control

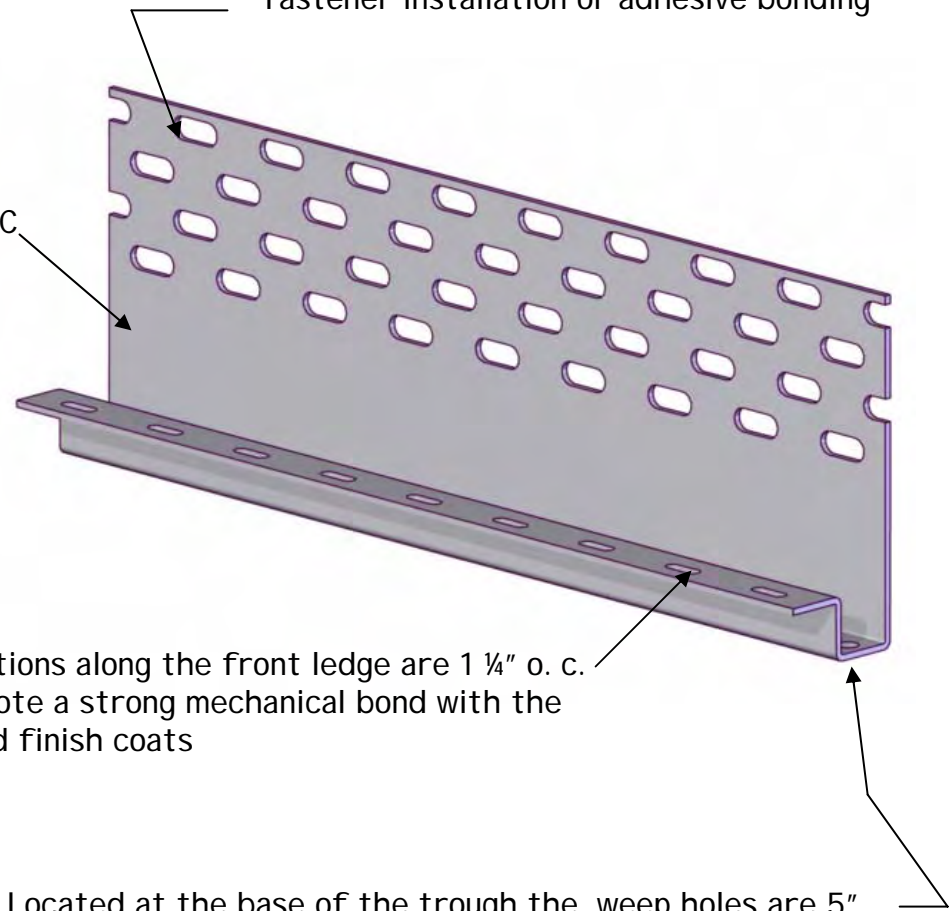


Wind-lock Universal Starter Track



Durable extruded PVC construction

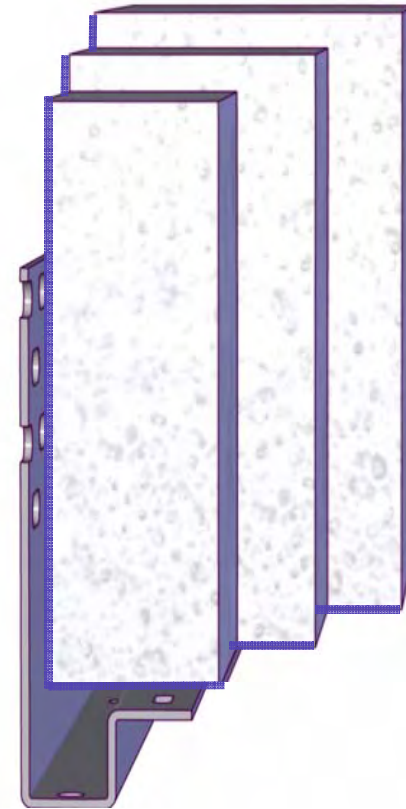
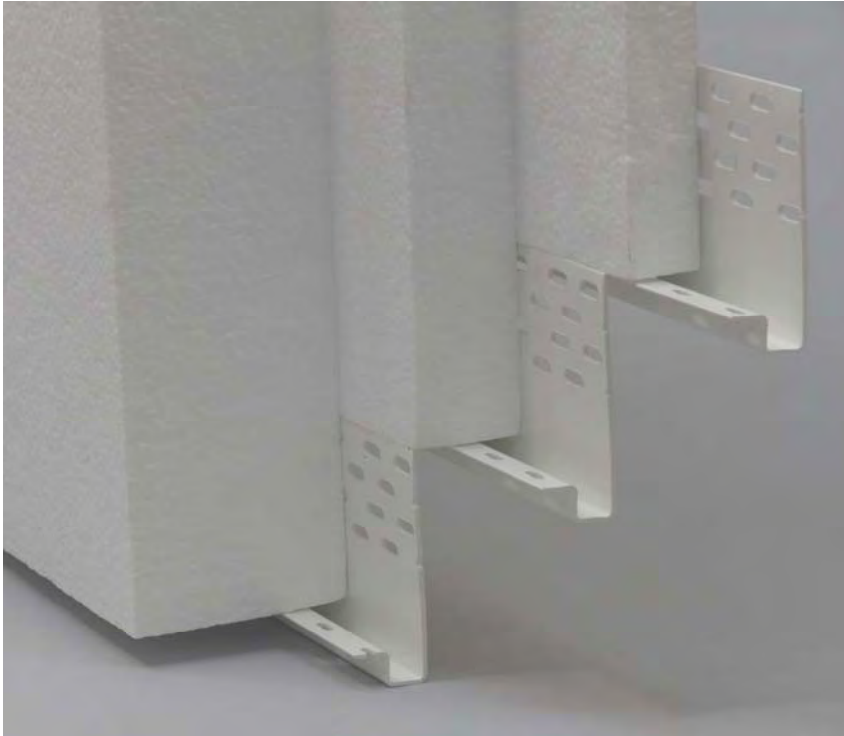
Perforations in back of track provide easy fastener installation or adhesive bonding



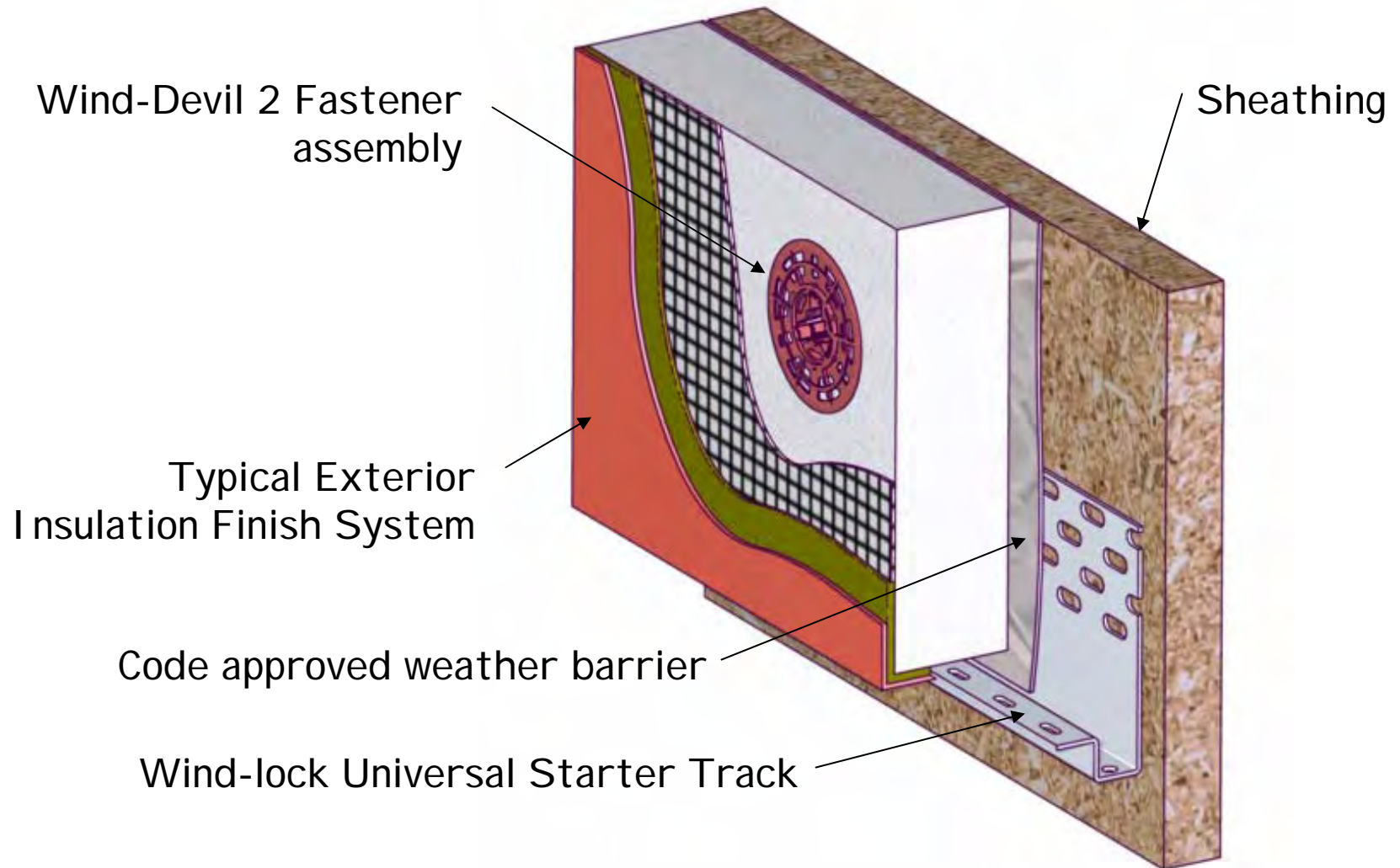
Wind-lock's Universal Starter Track

-

Use a minimum of 1" thick EPS to any code approved dimensions



Wind-lock Universal Starter Track



This picture is for illustration purposes only, and should not be used as an instructional guide to the proper installation of this product. Always install the Universal Starter Track, and all other EIFS-related products, according to the system manufacturer's specific recommendations, and in accordance with all applicable building codes and regulations, specifications, and details.