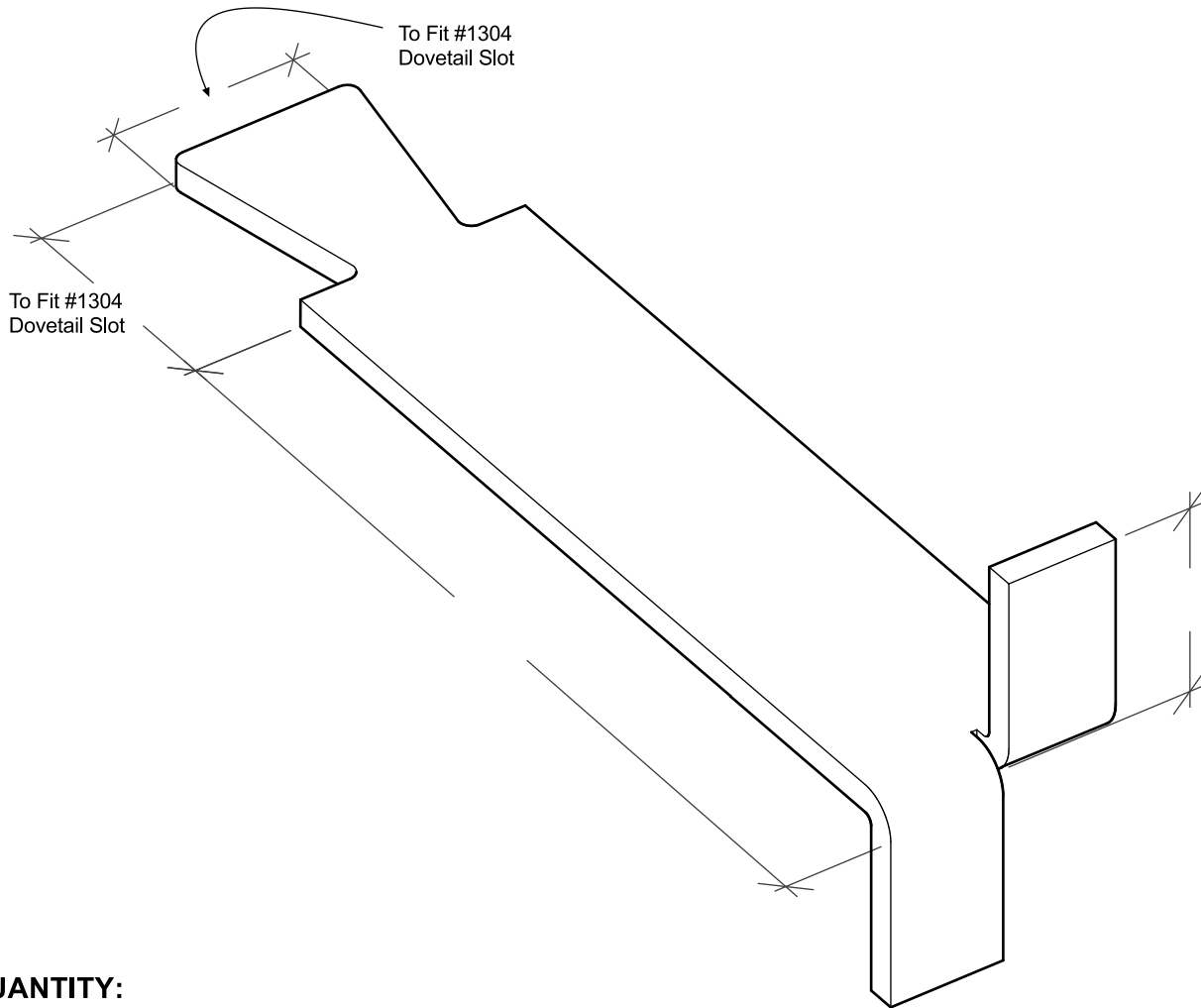


# STONE ANCHORS

## #2303 Dovetail Split Tail

WIRE-BOND



QUANTITY:

ST/ST Min. Fy = 45,000 p.s.i (ASTM A666)

**THICKNESS:**

1/8"      1/4"  
3/16"      Other

**FINISH:**

Hot Dip Galv.      Stainless Steel Type 316  
Stainless Steel Type 304



**CONTACT INFORMATION:**

Name:  
Company:  
Phone:                      Fax:  
E-mail:

**PROJECT INFORMATION:**

Name:  
Location:

Corporate Office: 400 Rountree Rd Charlotte, NC 28217  
TEL: (800) 849-6722 FAX: (704) 525-3761

Mailing Address: P.O. Box 240988 Charlotte, NC 28224



[www.wirebond.com](http://www.wirebond.com)

Memphis Plant: 2365 Harbor Ave. Memphis, TN 38113  
TEL: (800) 441-8359 FAX: (901) 775-9449

Mailing Address: P.O. Box 13124 Memphis, TN 38113