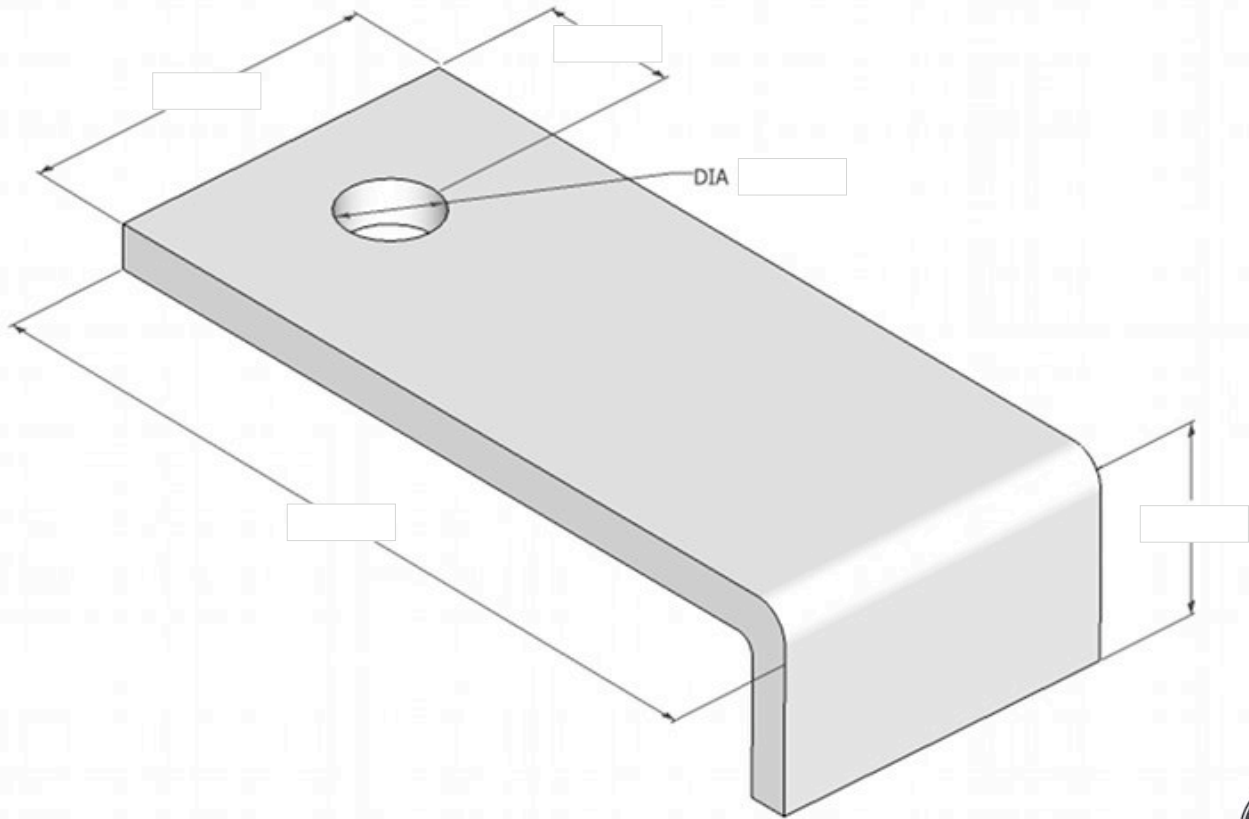


# STONE ANCHORS



## #3063 "L" Anchor



QUANTITY: \_\_\_\_\_

ST/ST Min. Fy = 45,000 p.s.i (ASTM A666)



### THICKNESS:

- 1/8"       1/4"  
 3/16"     Other \_\_\_\_\_

### FINISH:

- Hot Dip Galv.  
 Stainless Steel Type 304

### CONTACT INFORMATION:

Name: \_\_\_\_\_  
Company: \_\_\_\_\_  
Phone: \_\_\_\_\_ Fax: \_\_\_\_\_  
E-mail: \_\_\_\_\_

### PROJECT INFORMATION:

Name: \_\_\_\_\_  
Location: \_\_\_\_\_  
\_\_\_\_\_  
\_\_\_\_\_

