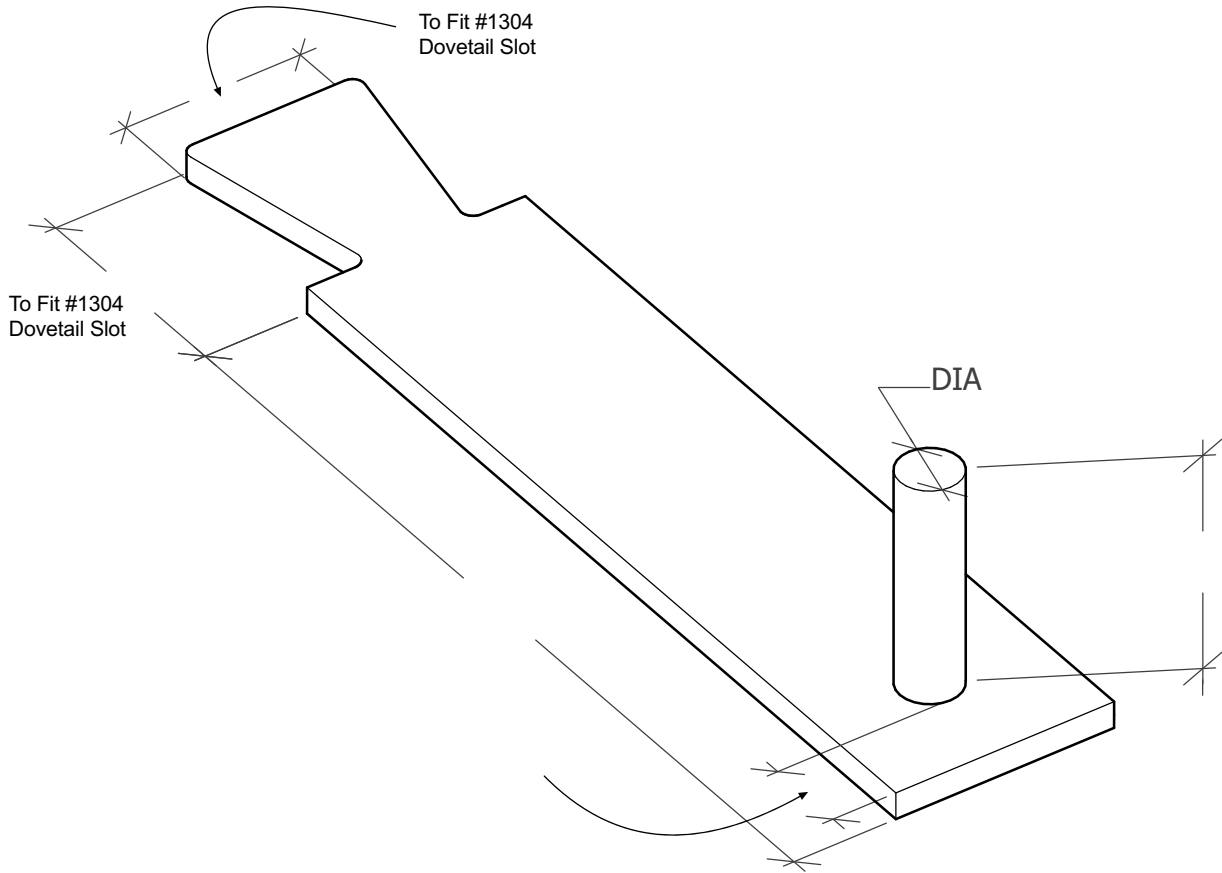


PRODUCT SUBMITTAL

WIRE-BOND

#2305 Dovetail with dowel



QUANTITY: _____

ST/ST Min. Fy = 45,000 p.s.i (ASTM A666)

THICKNESS:

1/8" 1/4"
 3/16" Other _____

FINISH:

Hot Dip Galv.
 Stainless Steel Type 304

DOWEL:

Welded

CONTACT INFORMATION:

Name: _____
 Company: _____
 Phone: _____ Fax: _____
 E-mail: _____

PROJECT INFORMATION:

Name: _____
 Location: _____

Corporate Office: 400 Rountree Rd Charlotte, NC 28217
 TEL: (800) 849-6722 FAX: (704) 525-3761

Mailing Address: P.O. Box 240988 Charlotte, NC 28224



www.wirebond.com

Memphis Plant: 2365 Harbor Ave. Memphis, TN 38113
 TEL: (800) 441-8359 FAX: (901) 775-9449

Mailing Address: P.O. Box 13124 Memphis, TN 38113