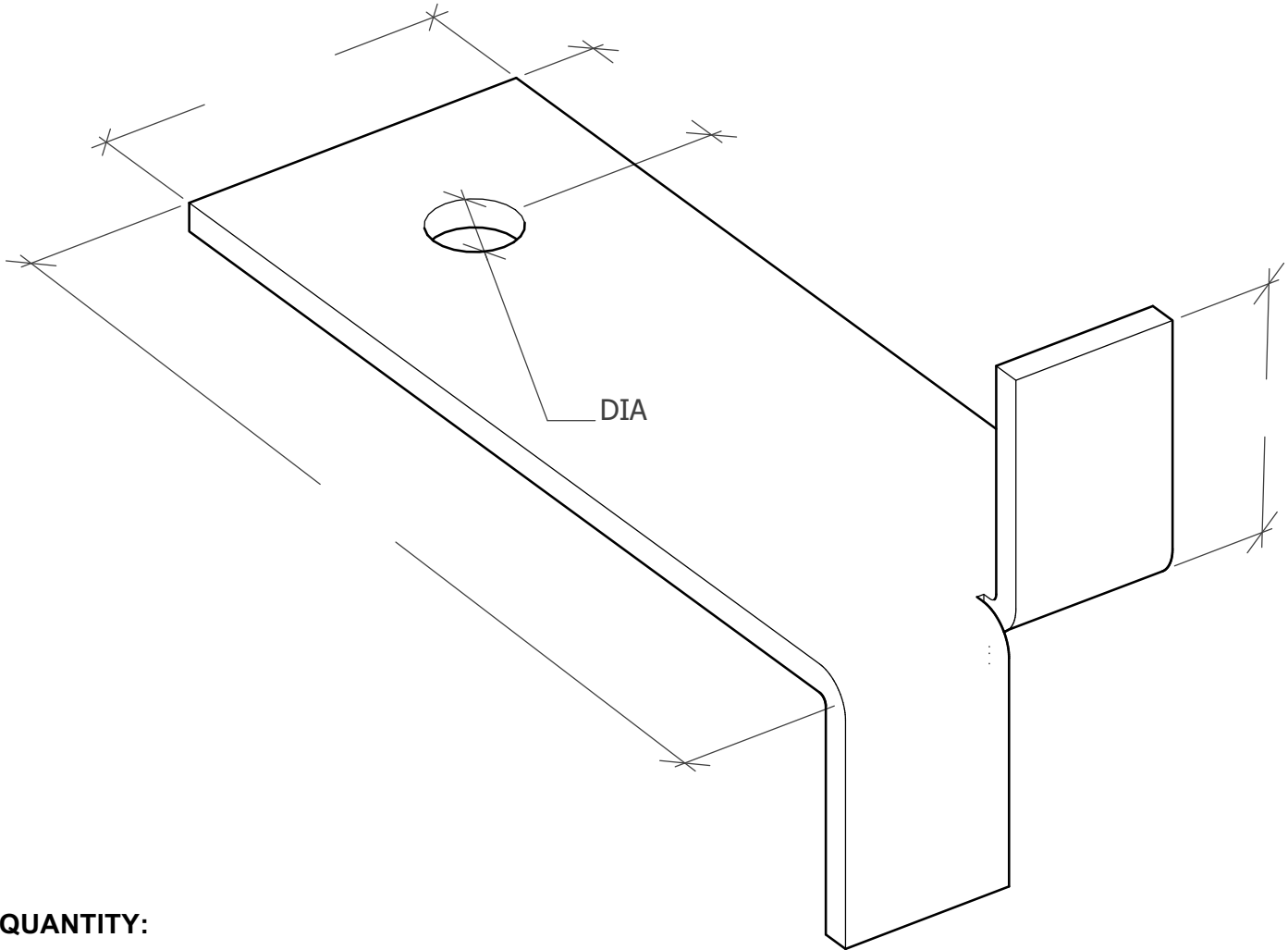


STONE ANCHORS

#3062 Split Tail

WIRE-BOND



QUANTITY:

ST/ST Min. Fy = 45,000 p.s.i (ASTM A666)

THICKNESS:

1/8" 1/4"
3/16" Other

FINISH:

Hot Dip Galv.
Stainless Steel Type 304



CONTACT INFORMATION:

Name:
Company:
Phone: Fax:
E-mail:

PROJECT INFORMATION:

Name:
Location:

Corporate Office: 400 Rountree Rd Charlotte, NC 28217
TEL: (800) 849-6722 FAX: (704) 525-3761

Mailing Address: P.O. Box 240988 Charlotte, NC 28224



www.wirebond.com

Memphis Plant: 2365 Harbor Ave. Memphis, TN 38113
TEL: (800) 441-8359 FAX: (901) 775-9449

Mailing Address: P.O. Box 13124 Memphis, TN 38113