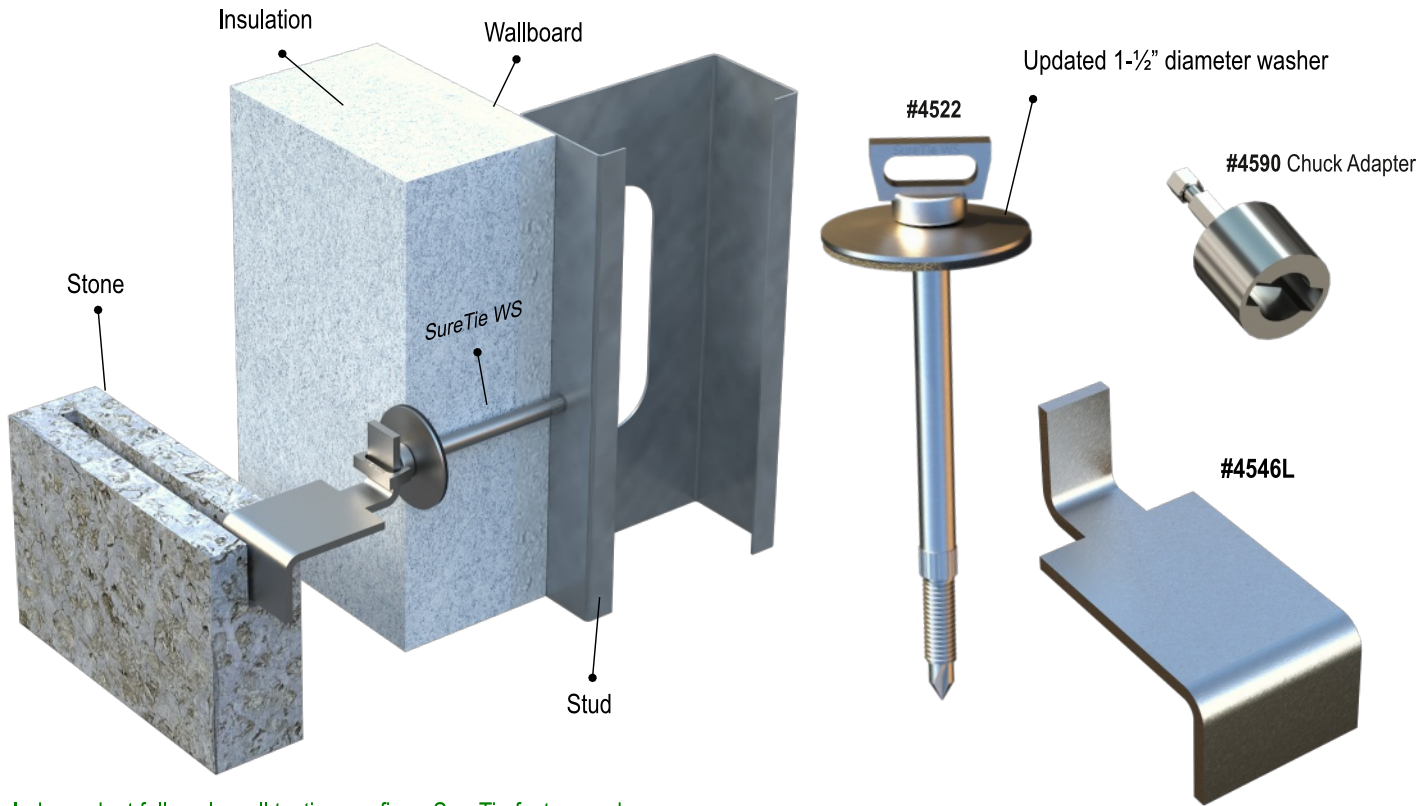


PRODUCT SUBMITTAL

WIRE-BOND

#4522 SureTie WS (#4546L Stone Anchor)



Independent full-scale wall testing confirms SureTie fasteners do not create any measurable thermal bridging within the wall system. Test results available upon request.

Description: The SureTie WS Anchoring System provides strong, reliable masonry tie connections while eliminating thermal bridging to maintain wall energy performance. Its wide slot design works with today's diverse cavity wall configurations and delivers exceptional holding power, protection against air and moisture, and proven long-term durability valued by architects and masons.

ASTM C1363 Testing, 3rd-party results showed:

- R-Value (2" Insulation) with SureTie installed: 12.9
- R-Value (2" Insulation) without any brick ties: 12.9

There was no reduction in thermal resistance found, and the SureTie fasteners maintained the wall's full designed R-Value.

SHEET METAL- (Carbon Steel) **ASTM A1008 / A1008M**

Sheet Metal - (Stainless Steel **Type 304: ASTM 240/A240M, ASTM A666, ASTM A480/A480M** (Type 316 available by special order)

Hot-Dip Galvanized After Fabrication /

Zinc Coating: ASTM A153/A153M, Class B2, 1.50 oz/sq ft.



SureTie WS #4522: The Ruspert® coating showed 0% red rust after 1,000 hours of ASTM B117 salt spray testing, proving superior corrosion resistance.

Wallboard Thickness: 5/8" 1/2"

Insulation Thickness:
 1" 1-1/2" 2" 2-1/2"
 3" 3-1/2" 4" 4-1/2"

#4546L SureTie WS Z Shape Stone Anchor

Fill in dimensions on second page

Finish: #4546L

Hot Dipped Galvanized

Stainless Steel

ST/ST Min. Fy = 45,000 p.s.i (ASTM A666)

Recycled Content: Mill Galvanized and Hot-Dipped contain 82.8% post-consumer and 17% post-industrial/pre-consumer recycled content; Stainless Steel contains 60% post-consumer recycled content.

VOC Content: 0%.

Corporate Office: 400 Rountree Rd Charlotte, NC 28217
 TEL: (800) 849-6722 FAX: (704) 525-3761

Mailing Address: P.O. Box 240988 Charlotte, NC 28224



www.wirebond.com

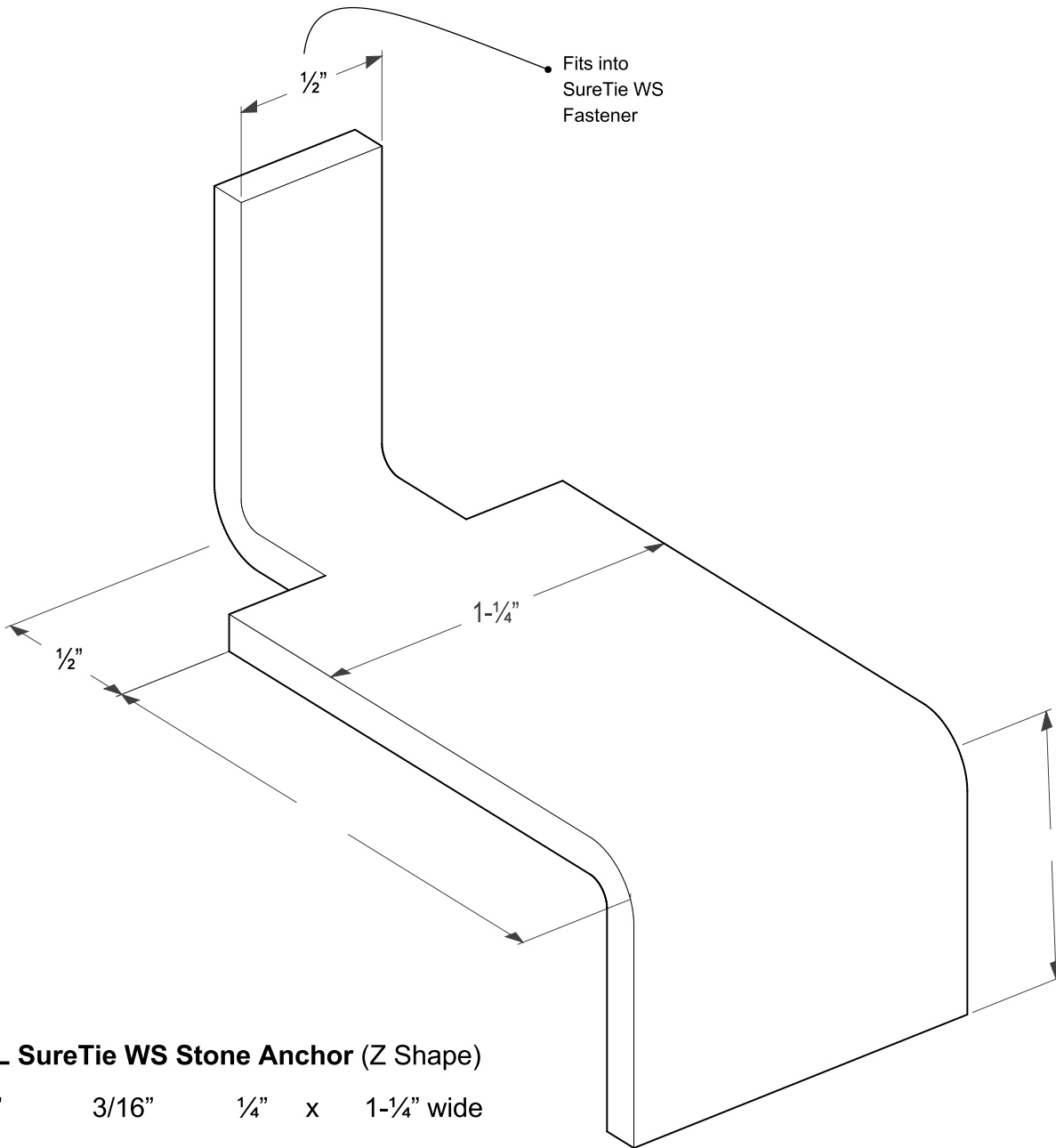
Memphis Plant: 2365 Harbor Ave. Memphis, TN 38113
 TEL: (800) 441-8359 FAX: (901) 775-9449

Mailing Address: P.O. Box 13124 Memphis, TN 38113

PRODUCT SUBMITTAL

WIRE-BOND

SureTie WS Stone Anchor (Z Shape)



#4546L SureTie WS Stone Anchor (Z Shape)

$\frac{1}{8}$ " $\frac{3}{16}$ " $\frac{1}{4}$ " x $1\text{-}\frac{1}{4}$ " wide

Quantity _____

ST/ST Min. Fy = 45,000 p.s.i (ASTM A666)

Corporate Office: 400 Rountree Rd Charlotte, NC 28217
TEL: (800) 849-6722 FAX: (704) 525-3761

Mailing Address: P.O. Box 240988 Charlotte, NC 28224



www.wirebond.com

Memphis Plant: 2365 Harbor Ave. Memphis, TN 38113
TEL: (800) 441-8359 FAX: (901) 775-9449

Mailing Address: P.O. Box 13124 Memphis, TN 38113