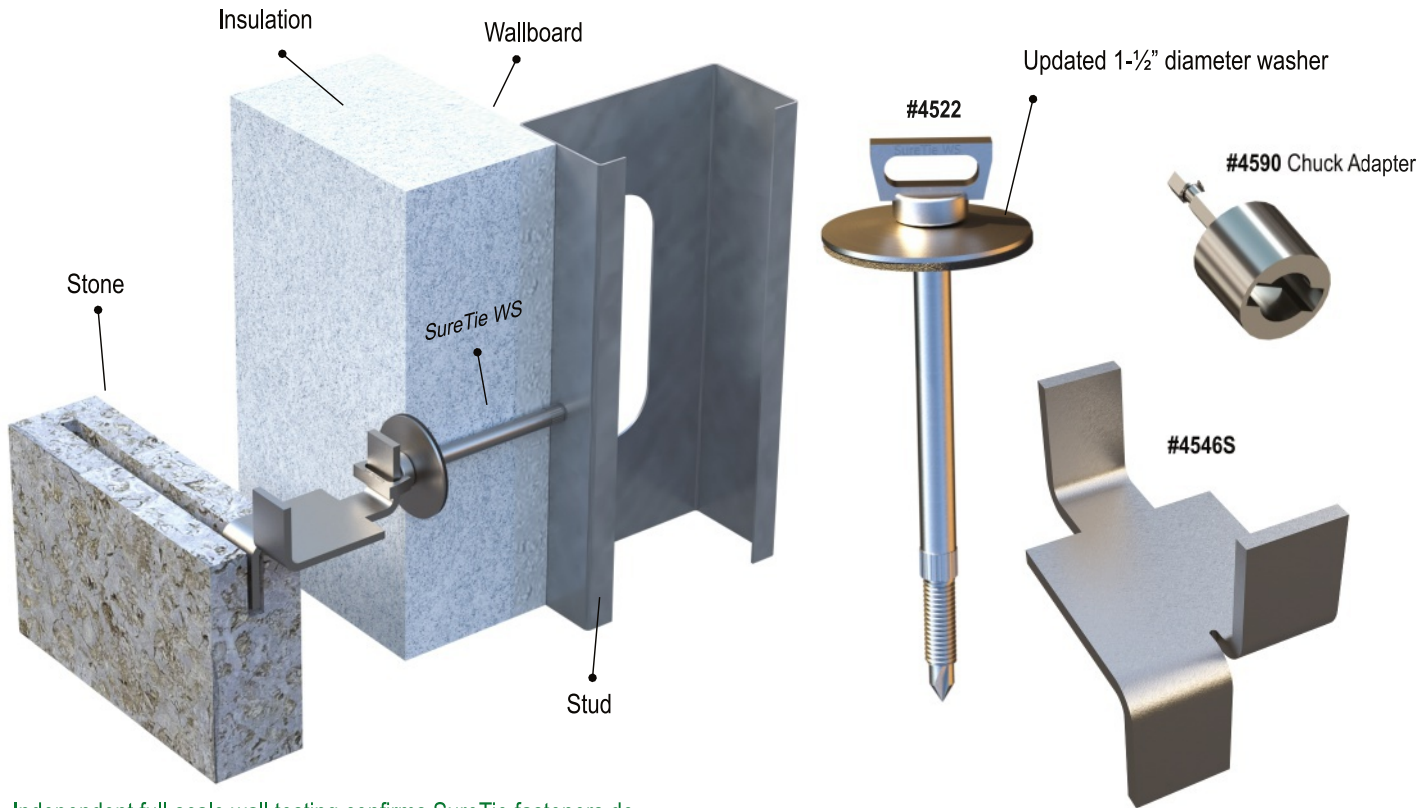


# PRODUCT SUBMITTAL

**WIRE-BOND**

## #4522 SureTie WS (#4546S Stone Anchor)



Independent full-scale wall testing confirms SureTie fasteners do not create any measurable thermal bridging within the wall system. Test results available upon request.

**Description:** The SureTie WS Anchoring System provides strong, reliable masonry tie connections while eliminating thermal bridging to maintain wall energy performance. Its wide slot design works with today's diverse cavity wall configurations and delivers exceptional holding power, protection against air and moisture, and proven long-term durability valued by architects and masons.

**ASTM C1363 Testing,** 3rd-party results showed:

- R-Value (2" Insulation) with SureTie installed: 12.9
- R-Value (2" Insulation) without any brick ties: 12.9

There was no reduction in thermal resistance found, and the SureTie fasteners maintained the wall's full designed R-Value.

**SHEET METAL-** (Carbon Steel) **ASTM A1008 / A1008M**

**Sheet Metal -** (Stainless Steel **Type 304: ASTM 240/A240M, ASTM A666, ASTM A480/A480M** (Type 316 available by special order)

**Hot-Dip Galvanized After Fabrication /**

**Zinc Coating:** ASTM A153/A153M, Class B2, 1.50 oz/sq ft.



**SureTie WS #4522:** The Ruspert® coating showed 0% red rust after 1,000 hours of ASTM B117 salt spray testing, proving superior corrosion resistance.

**Wallboard Thickness:**  5/8"  1/2"

**Insulation Thickness:**  
 1"  1-1/2"  2"  2-1/2"  
 3"  3-1/2"  4"  4-1/2"

**#4546S SureTie WS SplitTail Stone Anchor**

Fill in dimensions on second page

**Finish: #4546S**

Hot Dipped Galvanized

Stainless Steel

ST/ST Min. Fy = 45,000 p.s.i (ASTM A666)

**Recycled Content:** Mill Galvanized and Hot-Dipped contain 82.8% post-consumer and 17% post-industrial/pre-consumer recycled content; Stainless Steel contains 60% post-consumer recycled content.

**VOC Content:** 0%.

**Corporate Office:** 400 Rountree Rd Charlotte, NC 28217  
 TEL: (800) 849-6722 FAX: (704) 525-3761

**Mailing Address:** P.O. Box 240988 Charlotte, NC 28224



[www.wirebond.com](http://www.wirebond.com)

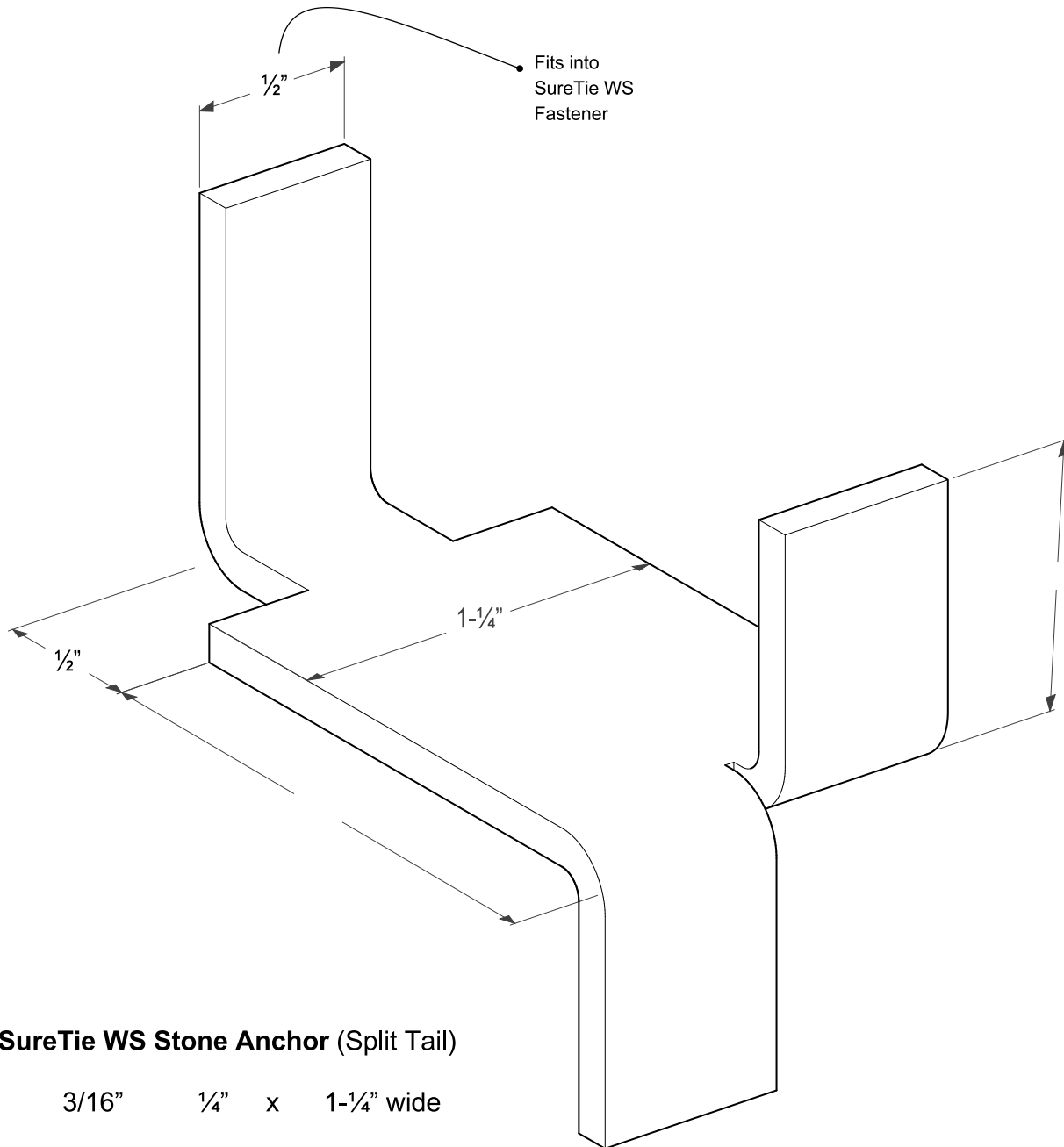
**Memphis Plant:** 2365 Harbor Ave. Memphis, TN 38113  
 TEL: (800) 441-8359 FAX: (901) 775-9449

**Mailing Address:** P.O. Box 13124 Memphis, TN 38113

# PRODUCT SUBMITTAL

WIRE-BOND

## SureTie WS Stone Anchor (Split Tail)



#4546S SureTie WS Stone Anchor (Split Tail)

1/8" 3/16" 1/4" x 1-1/4" wide

Quantity \_\_\_\_\_

**ST/ST Min. Fy = 45,000 p.s.i (ASTM A666)**

Corporate Office: 400 Rountree Rd Charlotte, NC 28217  
TEL: (800) 849-6722 FAX: (704) 525-3761

Mailing Address: P.O. Box 240988 Charlotte, NC 28224



[www.wirebond.com](http://www.wirebond.com)

Memphis Plant: 2365 Harbor Ave. Memphis, TN 38113  
TEL: (800) 441-8359 FAX: (901) 775-9449

Mailing Address: P.O. Box 13124 Memphis, TN 38113