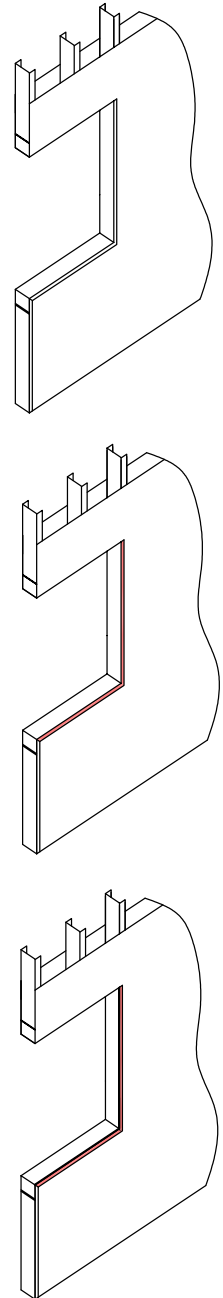


AIR SHIELD LIQUID FLASHING is high-quality, gun-grade, low-odor, elastomeric, polyether liquid-applied flashing and detailing membrane that is compatible with the entire line of AIR-SHIELD air, vapor, and liquid moisture barriers. This general-purpose, wet flashing membrane is used to seal rough openings and detail joints and bonds to most construction materials, such as aluminum, brick, concrete, wood, and vinyl and exterior gypsum board.

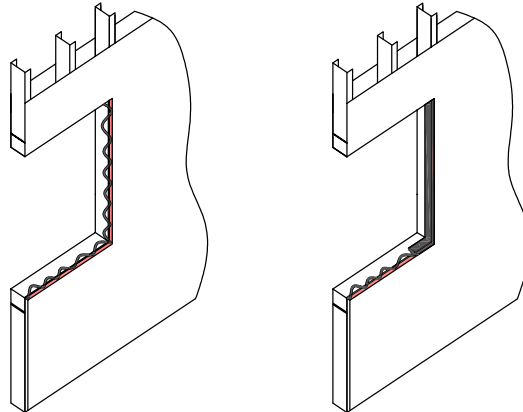
This document has been created as an addendum to our AIR-SHIELD technical data sheets to provide information regarding the application of AIR SHIELD LIQUID FLASHING for rough openings, such as windows and doors. Following are the typical installation instructions recommended by W. R. MEADOWS. It is important to review each application as there may be situations that may require this procedure to be modified based on the project requirements. If this situation arises, please contact W. R. MEADOWS Technical Service.

INSTALLATION INSTRUCTIONS

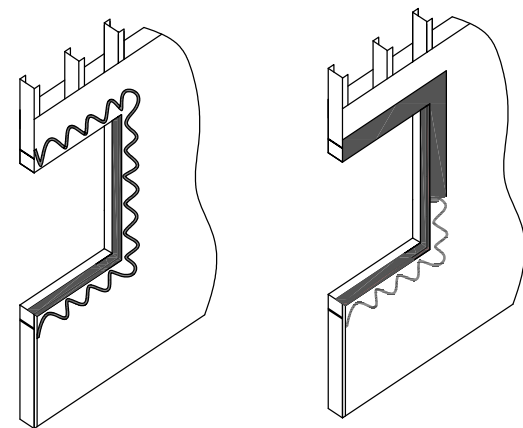
1. Inspect rough opening and ensure that all areas to receive AIR-SHIELD LIQUID FLASHING are clean, dry, smooth, and free from all bond-breaking contaminants.
2. Remove and replace any damaged structural wall components.
3. Apply a coat of MEL-PRIME™ on the raw edges of exterior gypsum board.
4. Prefill any joints or cracks that are larger than 1/4" (6.35 mm) and less than 1/2" (12.7 mm) with AIR-SHIELD LIQUID FLASHING. Apply a generous bead of material over the joint, press, and spread into the joint. Allow material to skin over prior to full application of AIR-SHIELD LIQUID FLASHING.
5. Prefill any joints or cracks larger than 1/2" (12.7 mm) with AIR-SHIELD LIQUID FLASHING. Install KOOL-ROD™ into the joint to control sealant depth and apply AIR-SHIELD LIQUID FLASHING. Smooth out using a W. R. MEADOWS SPREADER TOOL or putty knife and allow to cure prior to full application of AIR-SHIELD LIQUID FLASHING.



6. Starting at the top of the rough opening, apply a bead of AIR-SHIELD LIQUID FLASHING in the rough opening to be sealed and spread the material using a W. R. MEADOWS SPREADER TOOL or putty knife across the rough opening surface at an even consistency. Test the thickness of the material and ensure that it has a thickness of 12-15 mils using a wet mil gauge.



7. Apply a generous bead of AIR-SHIELD LIQUID FLASHING to the vertical surface around the rough opening and spread this material with a W. R. MEADOWS SPREADER TOOL or putty knife in an even, monolithic manner 4" - 6" (100 - 152 mm) onto the vertical surface around the rough opening. Make sure material contains no pinholes and is void-free. Again, make sure material is even, monolithic, and undamaged. Test the thickness to ensure the material has a thickness of 12-15 mils.



8. Allow AIR-SHIELD LIQUID FLASHING to dry before installing windows, doors, wall assembly, and the specific AIR-SHIELD membrane being applied.

