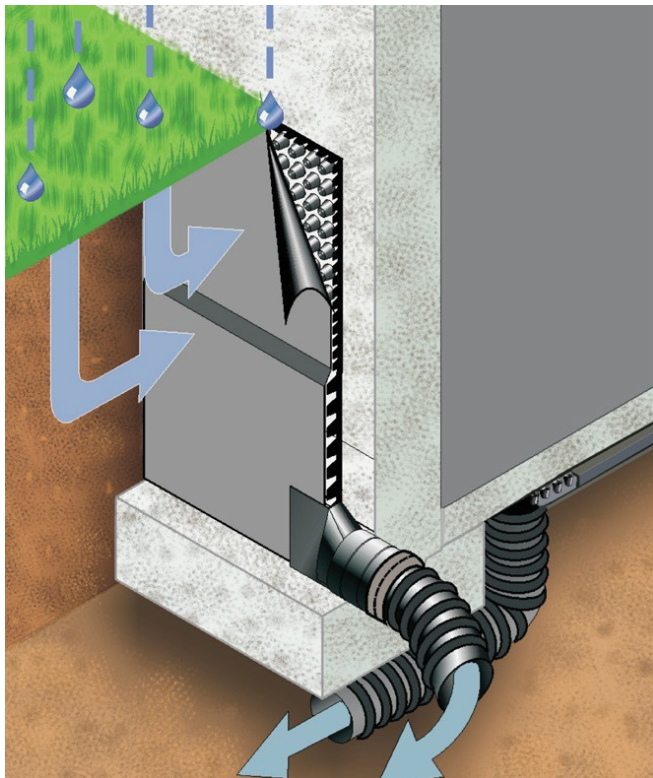


INSTALLATION GUIDELINES MEL-DRAIN™ TOTAL-DRAIN™

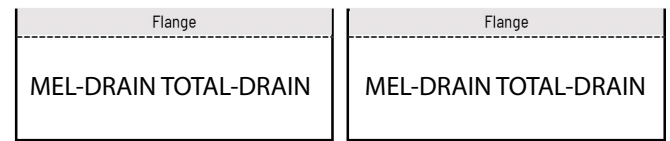
Prefabricated MEL-DRAIN TOTAL-DRAIN provides a value-engineered alternative to perforated pipe and aggregate subsurface drainage systems in applications requiring a high strength and high flow capacity collection system.

Prefabricated MEL-DRAIN TOTAL-DRAIN combines a formed dimpled polymeric core with a filter fabric bonded to the dimple side. The filter fabric allows water to pass through while retaining backfill materials. The solid core allows water collection from one side and provides a continuous flow path to designated drainage exits. The 24" (609.6 mm) wide product combines 12" (304.8 mm) of high-profile 1" (25.4 mm)-thick core with 12" (304.8 mm) of low-profile 0.4" (10.16 mm)-thick core and includes an integrated transition flange for easy connection to standard MEL-DRAIN.



INSTALLATION

When using MEL-DRAIN TOTAL-DRAIN, install first roll of drain at the bottom of the wall. The drain should sit on top of the footing (if applicable) with high-profile part of the drain at the bottom to provide high lateral water flow.



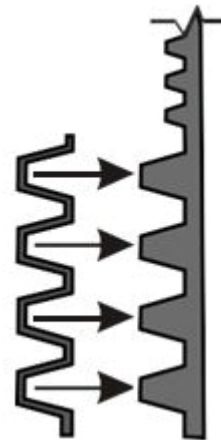
Water Flow →

CONNECTING ROLLS

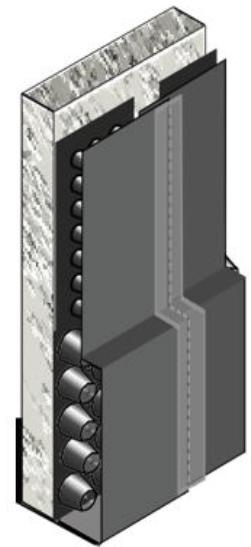
To attach the next roll of MEL-DRAIN TOTAL-DRAIN, peel back fabric to expose one row of both low-profile and high-profile dimples on each connecting end.

Cut and discard one row of low-profile dimples (do not cut high-profile dimples) from each connecting end. Do not cut fabric.

Interlock one row of the high-profile section and secure connection with PERMINATOR® TAPE from W. R. MEADOWS.



SIDE VIEW -
Interlock Core



Overlap fabric flaps
and tape to secure.

W. R. MEADOWS®

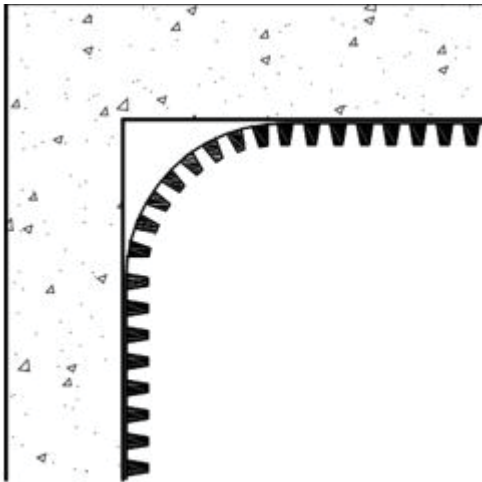
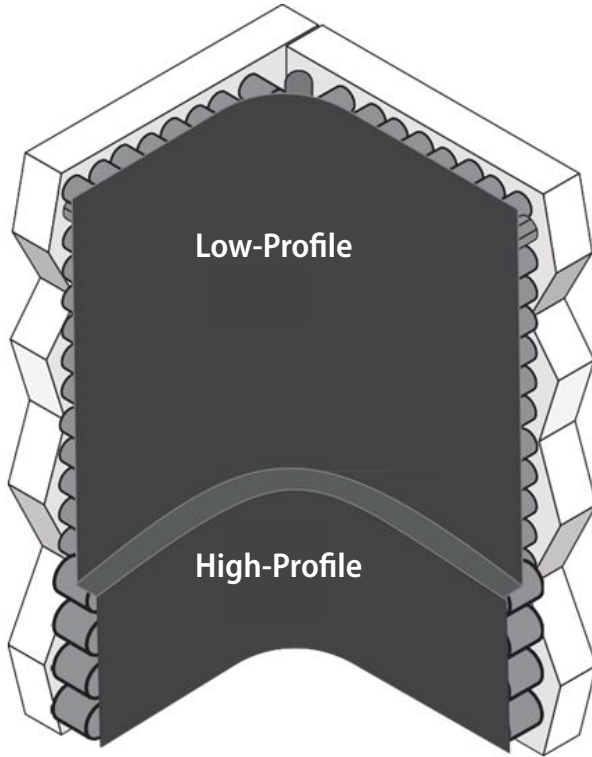
SEALIGHT®

A Family Company Since 1926

QUALITY...SERVICE...INTEGRITY

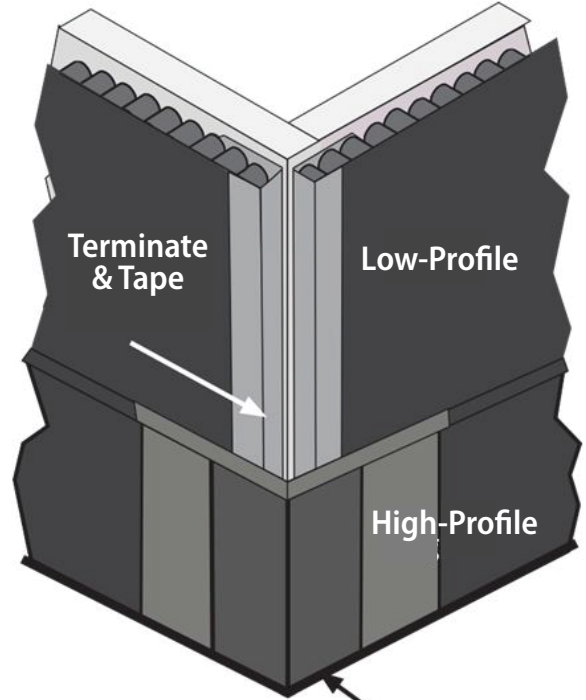
INSTALLATION GUIDELINES MEL-DRAIN™ TOTAL-DRAIN™

INSIDE CORNER DETAILS

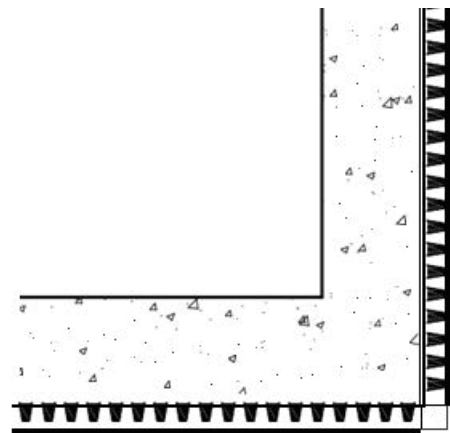


Bend drain around inside corner. Low and high profile sections.

OUTSIDE CORNER DETAILS



12" (304.8 mm) Corner Guard



Low profile: terminate and tape.

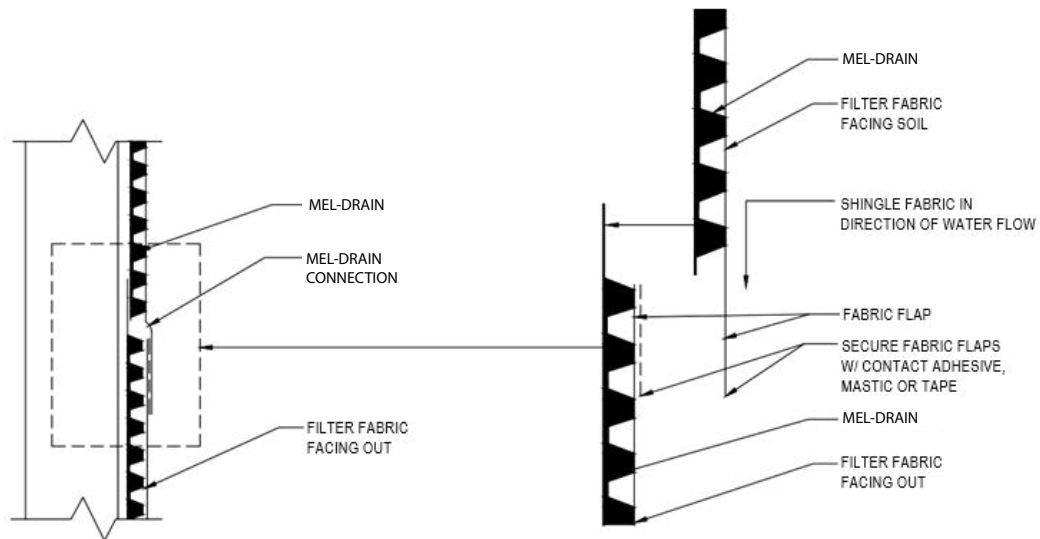
High profile: Slit fabric and place 12" (304.8 mm) corner guard fitting over slit. Tape to secure.

W. R. MEADOWS, INC. | P.O. Box 338 | HAMPSHIRE, IL 60140-0338

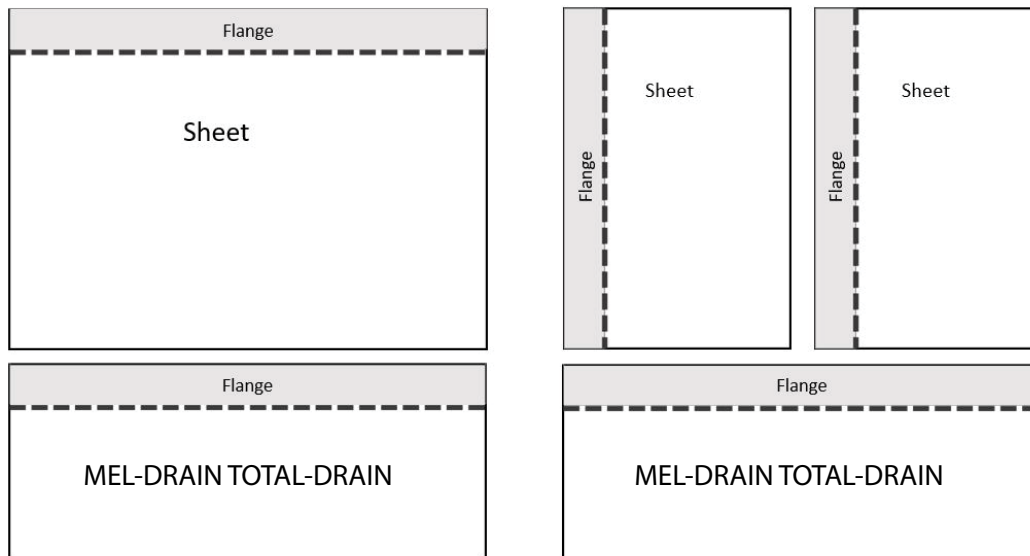
Phone:847/214-2100 | Fax:847/683-4544 | www.wrmeadows.com

DRAINAGE CONNECTION FLANGE DETAILS

MEL-DRAIN TOTAL-DRAIN is manufactured with a core flange on each roll. The flange is a flat section of plastic that extends beyond the molded dimples on one side. The flange is designed to connect rolls to each other to facilitate water flow and transportation. Rolls are designed with integrated fabric flaps that extend beyond the flange edge to secure seams and terminate edges, preventing soil intrusion into the water flow channel.



Rolls can be installed vertically (in columns) or horizontally (in rows) against the installation surface. All rolls should be installed with flanges oriented in a consistent manner.



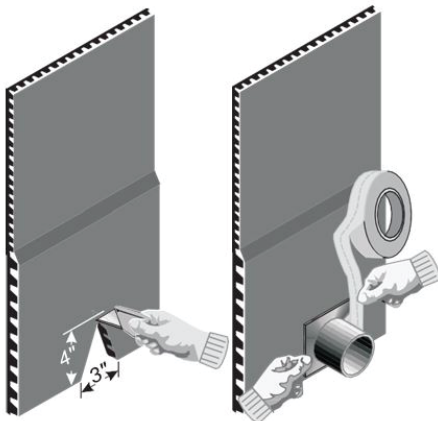
DISCHARGE OUTLET DETAILS

Tee Outlet and End Outlet fittings are used to connect MEL-DRAIN TOTAL-DRAIN to outlet pipes.

TEE OUTLET CONNECTION:

Use razor knife to cut 3" (76.2 mm) wide x 4" (101.6 mm) high "V" notch through core and filter fabric at desired Tee Outlet fitting location. Discard cut-out section.

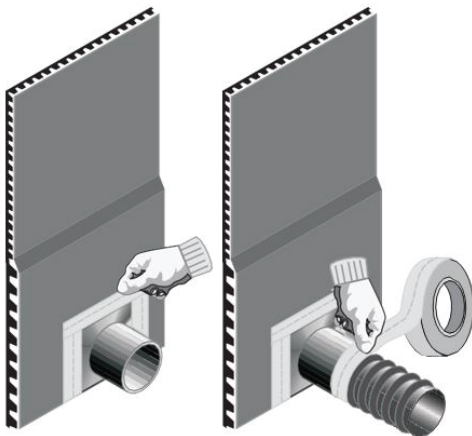
PLACE "U" Channel of Tee Outlet fitting over "V" notch and secure bottom edge using tape.



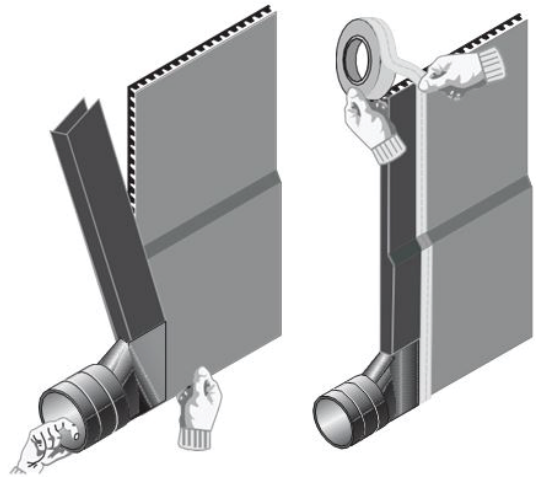
Secure all fitting edges with PERMINATOR TAPE.

Insert 4" (101.6 mm) pipe into Tee Outlet fitting and secure connection with tape.

Double bell housing on fitting allows secure connection of 4" (101.6 mm) smooth or corrugated pipe.

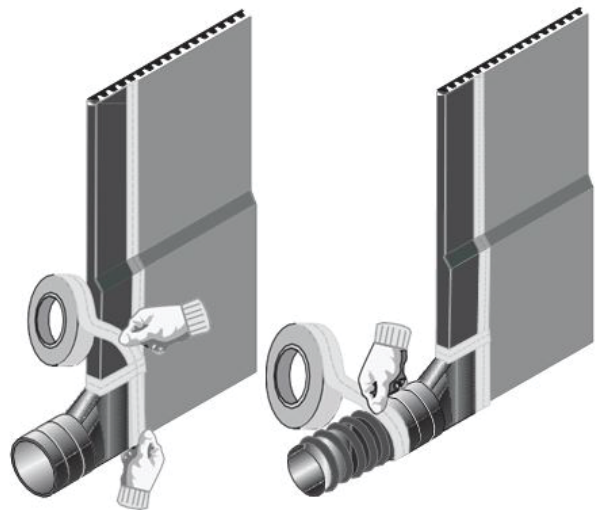


END OUTLET CONNECTION



Place "U" Channel of End Outlet Fitting around bottom corner of drain with fabric flap extending upwards.

Fold fabric around exposed edge of drain and secure with PERMINATOR TAPE.



Secure all fitting edges with tape.

Insert 4" (101.6 mm) pipe into End Outlet fitting and secure connection with PERMINATOR TAPE. Double bell housing on fitting allows secure connection of 4" (101.6 mm) smooth or corrugated pipe.

FOUNDATION WALL SYSTEM DETAIL

MEL-DRAIN TOTAL-DRAIN is designed to connect directly to standard MEL-DRAIN allowing collected water a fast, efficient, dedicated flow path to designated drainage outlets.

