

PROVIDING A
FULL BUILDING
ENVELOPE
SYSTEM

WATERPROOFING

PROTECTING THE INVESTMENT IN YOUR BUILDING



Prevent water and moisture problems with a W. R. MEADOWS compete waterproofing package.

Major investments are made in buildings today, and those investments deserve the very best protection available. For that protection, look to the only company that has consistently helped owners protect their buildings against the ingress of moisture for over 95 years: W. R. MEADOWS. Recognized as the leader in developing and producing quality products for the construction industry, W. R. MEADOWS' products can bring to your project a coveted reputation earned with architects, engineers, and contractors.

WATERPROOFING PRODUCTS AND ACCESSORIES

HRM 714

hot-applied rubberized asphalt waterproofing membrane is a 100% solids blend of asphalts, synthetic rubber polymers, and filler formulated to provide toughness with flexibility and low moisture vapor permanence.

HYDRALASTIC 836

is a cold-applied, solvent-free, single-component waterproofing compound. It does not shrink, has a low volatile organic compound (VOC) content, and has a very low odor. It will not crack in extreme cold, or slump due to softening at high temperatures. HYDRALASTIC 836 is excellent for horizontal and vertical applications such as waterproofing plaza decks, planter boxes, and sealing parapets.

HYDRALASTIC 836 SL

HYDRALASTIC 836 SL is a single-component, cold-applied, solvent-free, water-activated, waterproofing system. The product cures quickly with the addition of water, decreases blistering, and cures to a tough, flexible membrane.

PRECON[®]

is used as a blindside membrane in vertical applications where access to the positive side is limited. The membrane can also be used for horizontal applications for underslab waterproofing and vaporproofing.

MEL-DEK[™]

waterproofing system provides an excellent waterproofing membrane for bridges, parking decks or other vehicular traffic structures to be overlaid with as asphaltic concrete wearing course. It is ideal for repair, maintenance, or new construction applications.

CLAY-TITE[™]

CLAY-TITE is a dual layer waterproofing consisting of virgin HDPE (20 mil), sodium bentonite, and a protective layer consisting of a non-woven polypropylene. The HDPE provides the first layer of waterproofing, while the bentonite's self-sealing capabilities ensure positive puncture protection under hydrostatic conditions. The polypropylene fabric protects the bentonite from direct installation of shotcrete.

What makes up the total moisture control package?

Moisture is found in some form or another on every building site. The difference between a satisfied owner and a "problem" project is how you deal with that moisture. Critical to waterproofing are all the products used in combination to create a system. It's this system that ensures that you have complete control of moisture migration in a facility. With W. R. MEADOWS' complete line of waterproofing and moisture control products, you'll have all the products needed to create and install the proper protective system for your building.

MEL-ROL[®] LM

is a single-component, polymer-modified, cold-applied, water-based, liquid waterproofing membrane ideal for below-grade vertical seamless waterproofing applications. It uses the same high quality rubber polymers found in W. R. MEADOWS' popular MEL-ROL "peel-and-stick" membrane, and converts them into a heavy bodied, high solids, quick-drying liquid membrane.

MEL-ROL LM (ALL SEASON)

can be used on new and remedial waterproofing applications on concrete or masonry block substrates. Application can be performed in colder weather when water-based products cannot be used.

MEL-ROL

waterproofing system is a flexible, versatile, dependable, roll-type waterproofing membrane. It is composed of a nominally 56 mil thick layer of polymeric waterproofing membrane on a heavy-duty, 4 mil thick, cross-laminated polyethylene carrier film.

BEM: One-Component Building Envelope Membrane

MEL-PRIME[™]: Ready-to-Use Adhesive

MEL-PRIME[™], TOTAL-DRAIN[™]: Prefabricated Soil Drain System

NEOPRENE FLASHING MEMBRANE: Uncured Neoprene Flashing

PROTECTION COURSE: Waterproofing Protection

PC2R PROTECTION COURSE: Waterproofing Protection Course

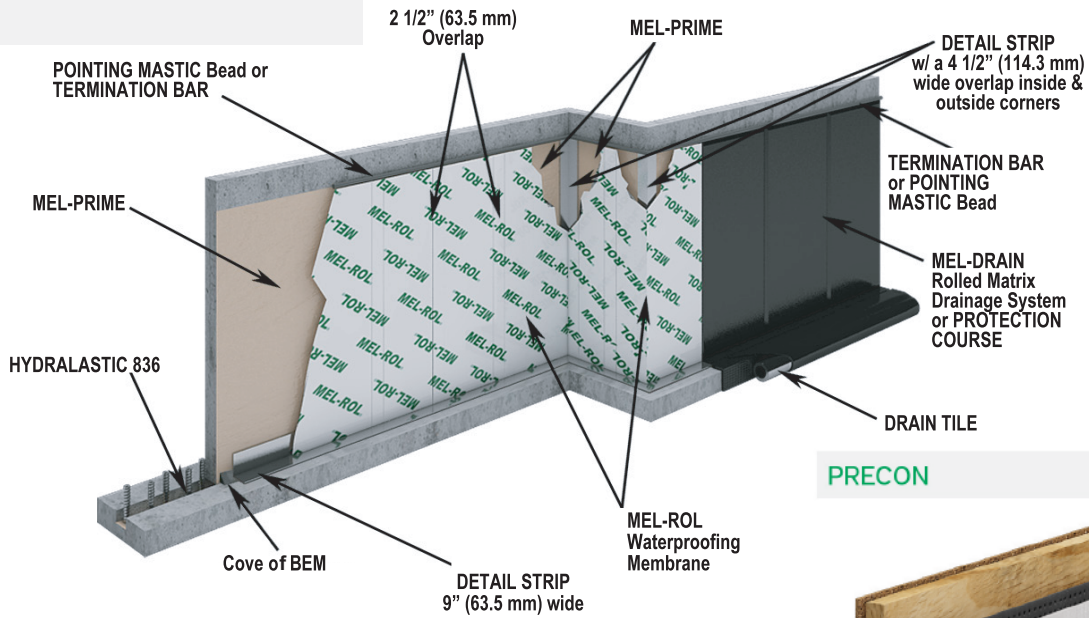
MEL-DRAIN: Rolled Matrix Drainage System

TERMINATION BAR: Multi-Purpose, Performed Attachment Plastic

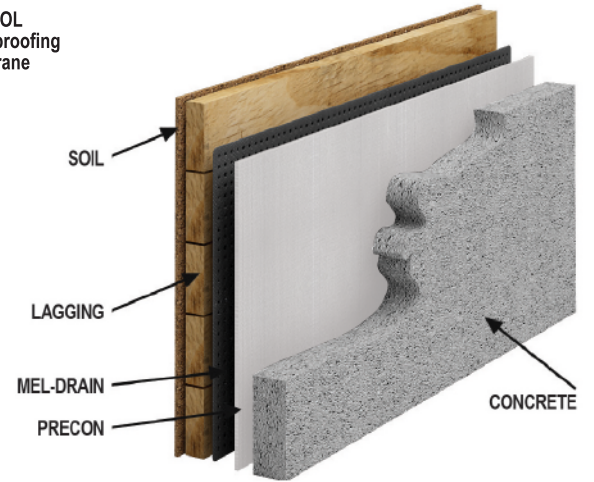
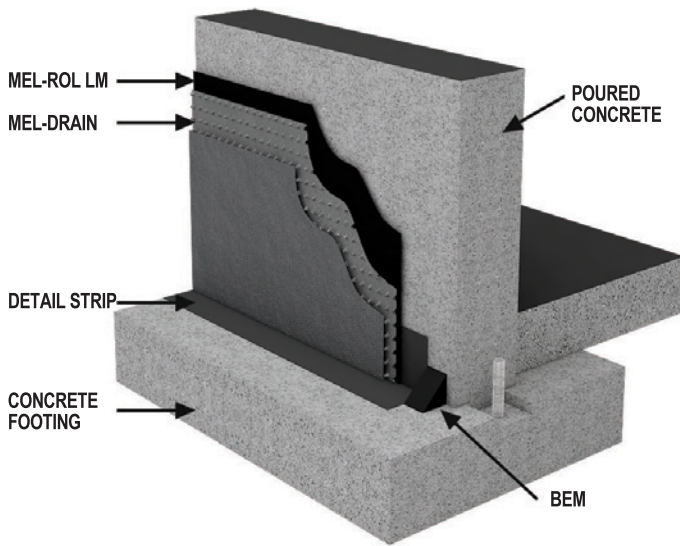
WATERSTOP EC: Multi-layered, Bentonite-Based Waterstop

WATERPROOFING PRODUCTS AND APPLICATION

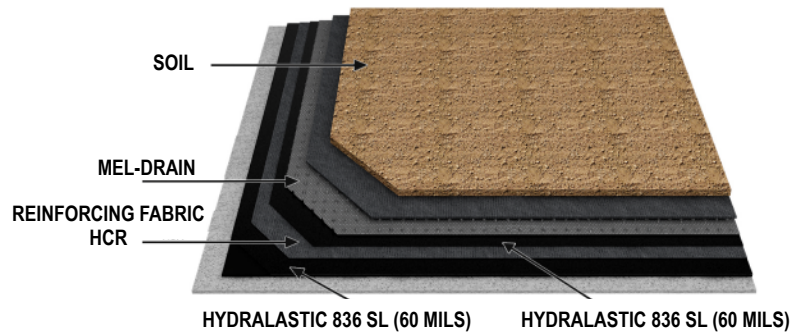
MEL-ROL



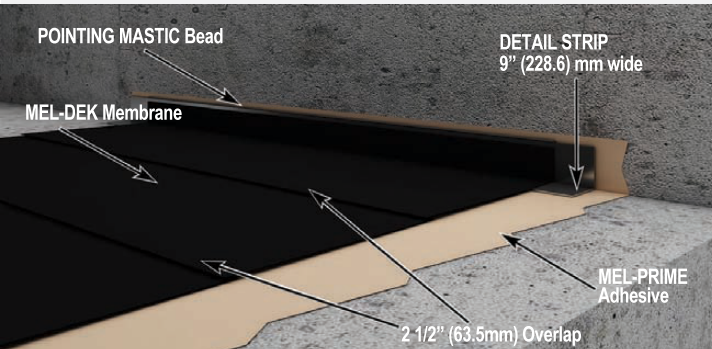
MEL-ROL LM



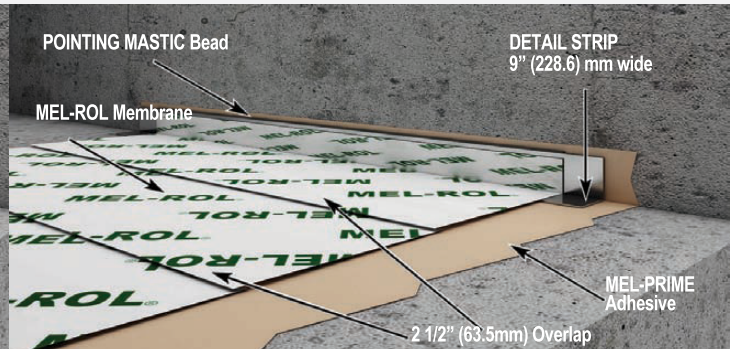
HYDRALASTIC 836 SL



MEL-DEK



MEL-ROL





IDEAL APPLICATIONS FOR W. R. MEADOWS WATERPROOFING PROTECTION

- Bridges
- Parking decks
- Plaza decks
- Structural slabs
- Vehicular, utility and pedestrian tunnel projects
- Hospitals
- Schools
- Office construction
- Commercial projects



Visit our site for comprehensive information on waterproofing a building:

- Product Listings
- Product Brochures
- Application Details
- Information Pages
- Installation Instructions
- Guide Specs
- Video Guides
- LEED Credit Calculation

wrmeadows.com

Sustainability:

Learn more about our products sustainability and green attributes, such as LEED info and HPDs.

<https://www.wrmeadows.com/calculator/>



Download the PDF

Controlling Moisture Movement in Buildings: The Complete Approach. Get a full explanation of how moisture moves in buildings.

wrmeadows.com/data/cat-mm03.pdf



Your quick link to waterproofing videos.

#wrmeadows

wrmeadows.com

info@wrmeadows.com



facebook.com/wrmeadows



linkedin.com/company/w-r-meadows-inc



twitter.com/wrmeadows



instagram.com/wrmeadowsinc